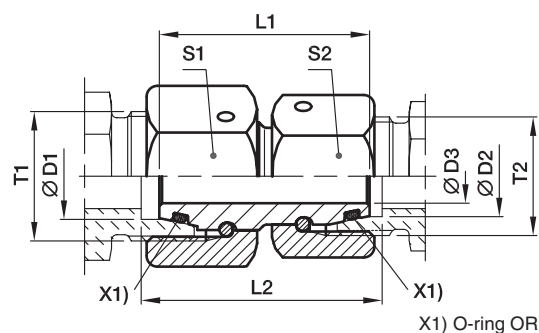


GZR Raccordo riduzione con dado girevole

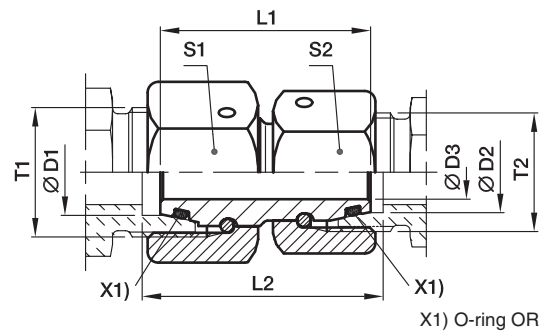
Dado girevole EO 24° DKO



Serie 3) 4)	D1 	D2 	T1	T2	D3	L1	L2	S1	S2	Peso g/1 pezzo	Codice di ordinazione*	PN (bar) ¹⁾ CF
L/S	06	06	M 14x1,5	M 12x1,5	2,5	32	33,0	17	14	34	GZR06L/06S	500
L	08	06	M 14x1,5	M 12x1,5	2,5	32	33,0	17	14	36	GZR08/06L	500
L/S	08	08	M 16x1,5	M 14x1,5	4,0	33	34,0	19	17	48	GZR08L/08S	500
L	10	06	M 16x1,5	M 12x1,5	2,5	33	34,0	19	14	44	GZR10/06L	500
L	10	08	M 16x1,5	M 14x1,5	4,0	33	34,0	19	17	50	GZR10/08L	500
L/S	10	10	M 18x1,5	M 16x1,5	6,0	33	34,5	22	19	63	GZR10L/10S	500
L	12	06	M 18x1,5	M 12x1,5	2,5	33	34,0	22	14	56	GZR12/06L	400
L	12	08	M 18x1,5	M 14x1,5	4,0	33	34,0	22	17	62	GZR12/08L	400
L	12	10	M 18x1,5	M 16x1,5	6,0	33	34,0	22	19	65	GZR12/10L	400
L/S	12	12	M 20x1,5	M 18x1,5	8,0	36	37,5	24	22	85	GZR12L/12S	400
L	15	08	M 22x1,5	M 14x1,5	4,0	38	39,0	27	17	98	GZR15/08L	400
L	15	10	M 22x1,5	M 16x1,5	6,0	38	39,0	27	19	101	GZR15/10L	400
L	15	12	M 22x1,5	M 18x1,5	8,0	38	39,0	27	22	108	GZR15/12L	400
L	18	10	M 26x1,5	M 16x1,5	6,0	36	37,5	32	19	125	GZR18/10L	400
L	18	12	M 26x1,5	M 18x1,5	8,0	36	37,5	32	22	132	GZR18/12L	400
L	18	15	M 26x1,5	M 22x1,5	10,0	38	39,5	32	27	155	GZR18/15L	400
L/S	18	16	M 26x1,5	M 24x1,5	11,0	39	41,5	32	30	177	GZR18L/16S	400
L	22	12	M 30x2,0	M 18x1,5	8,0	42	43,5	36	22	195	GZR22/12L	250
L	22	15	M 30x2,0	M 22x1,5	10,0	42	43,5	36	27	215	GZR22/15L	250
L	22	18	M 30x2,0	M 26x1,5	13,0	42	44,0	36	32	228	GZR22/18L	250
L/S	22	20	M 30x2,0	M 30x2,0	14,0	44	47,0	36	36	266	GZR22L/20S	250
L	28	15	M 36x2,0	M 22x1,5	10,0	46	47,5	41	27	143	GZR28/15L	250
L	28	18	M 36x2,0	M 26x1,5	13,0	46	48,0	41	32	311	GZR28/18L	250
L	28	22	M 36x2,0	M 30x2,0	17,0	46	46,0	41	36	309	GZR28/22L	250
L/S	28	25	M 36x2,0	M 36x2,0	18,0	46	50,5	41	46	419	GZR28L/25S	250
L	35	18	M 45x2,0	M 26x1,5	13,0	48	51,0	50	32	430	GZR35/18L	250
L	35	22	M 45x2,0	M 30x2,0	17,0	48	51,0	50	36	429	GZR35/22L	250
L	35	28	M 45x2,0	M 36x2,0	22,0	48	51,0	50	41	415	GZR35/28L	250
L/S	35	30	M 45x2,0	M 42x2,0	23,0	52	59,0	50	50	577	GZR35L/30S	250
L	42	22	M 52x2,0	M 30x2,0	17,0	52	55,5	60	36	653	GZR42/22L	250
L	42	28	M 52x2,0	M 36x2,0	22,0	52	55,5	60	41	648	GZR42/28L	250
L	42	35	M 52x2,0	M 45x2,0	28,0	52	56,5	60	50	662	GZR42/35L	250
L/S	42	38	M 52x2,0	M 52x2,0	30,0	52	62,0	60	60	822	GZR42L/38S	250
S	08	06	M 16x1,5	M 14x1,5	2,5	33	34,0	19	17	49	GZR08/06S	800
S	10	06	M 18x1,5	M 14x1,5	2,5	33	34,5	22	17	60	GZR10/06S	800
S	10	08	M 18x1,5	M 16x1,5	4,0	33	34,5	22	19	66	GZR10/08S	800
S	12	06	M 20x1,5	M 14x1,5	2,5	36	37,5	24	17	77	GZR12/06S	630
S	12	08	M 20x1,5	M 16x1,5	4,0	36	37,5	24	19	82	GZR12/08S	630
S	12	10	M 20x1,5	M 18x1,5	6,0	36	38,0	24	22	89	GZR12/10S	630
S	16	10	M 24x1,5	M 18x1,5	6,0	39	41,5	30	22	138	GZR16/10S	630
S	16	12	M 24x1,5	M 20x1,5	8,0	39	41,5	30	24	143	GZR16/12S	630
S/L	16	15	M 24x1,5	M 22x1,5	10,0	39	41,0	30	27	153	GZR16S/15L	400
S	20	12	M 30x2,0	M 20x1,5	8,0	44	47,0	36	24	204	GZR20/12S	420

GZR Raccordo riduzione con dado girevole

Dado girevole EO 24° DKO



Serie ^{3) 4)}	D1	D2	T1	T2	D3	L1	L2	S1	S2	Peso g/1 pezzo	Codice di ordinazione*	PN (bar) ¹⁾ CF
S	20	16	M 30x2,0	M 24x1,5	11,0	44	47,5	36	30	232	GZR20/16S	420
S/L	20	18	M 30x2,0	M 26x1,5	13,0	44	47,0	36	32	224	GZR20S/18L	400
S	25	16	M 36x2,0	M 24x1,5	11,0	46	51,0	46	30	224	GZR25/16S	420
S	25	20	M 36x2,0	M 30x2,0	14,0	46	51,5	46	36	364	GZR25/20S	420
S/L	25	22	M 36x2,0	M 30x2,0	17,0	46	50,5	46	36	475	GZR25S/22L	250
S	30	16	M 42x2,0	M 24x1,5	11,0	52	58,5	50	30	475	GZR30/16S	420
S	30	20	M 42x2,0	M 30x2,0	14,0	52	59,0	50	36	500	GZR30/20S	420
S	30	25	M 42x2,0	M 36x2,0	18,0	52	60,5	50	46	589	GZR30/25S	420
S/L	30	28	M 42x2,0	M 36x2,0	22,0	52	58,0	50	41	476	GZR30S/28L	250
S	38	20	M 52x2,0	M 30x2,0	14,0	52	61,5	60	36	671	GZR38/20S	420
S	38	25	M 52x2,0	M 36x2,0	18,0	52	63,0	60	46	759	GZR38/25S	420
S	38	30	M 52x2,0	M 42x2,0	23,0	52	64,5	60	50	767	GZR38/30S	420
S/L	38	35	M 52x2,0	M 45x2,0	28,0	52	61,5	60	50	662	GZR38S/35L	250

¹⁾ Pressione indicata = Articolo disponibile

³⁾ L = Serie leggera: ⁴⁾ S = Serie pesante

$\frac{PN \text{ (bar)}}{10} = PN \text{ (MPa)}$ ¹⁾

Per informazioni sull'ordinazione di raccordi completi o sui materiali di tenuta alternativi vedere pag. 17.

Suffissi codice di ordinazione			
Materiale	Suffisso superficie e materiale	Esempio	Materiale di tenuta standard (non occorre suffisso aggiuntivo)
Acciaio, zincato, esente da CromoVI	CF	GZR16/12SCF	NBR

*Aggiungere i **suffissi** qui di seguito in base al materiale e alla superficie richiesti.