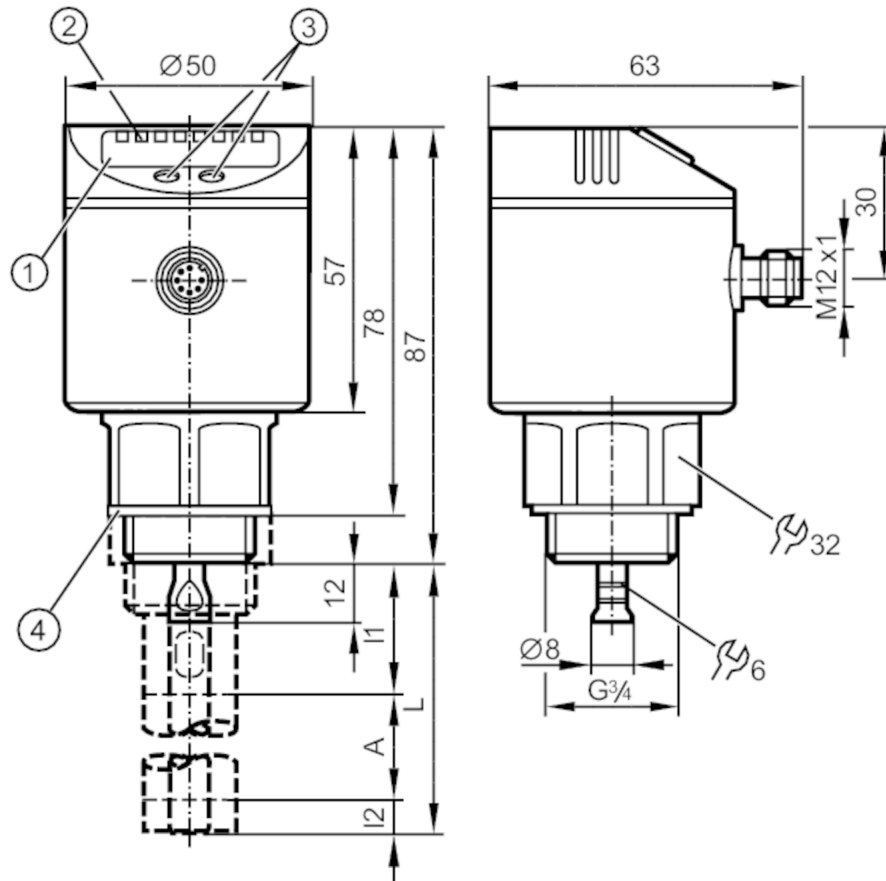


LR8010



Continuous level sensor (guided wave radar)

LR0000B-BR34AVPKG/US



- 1 alphanumeric display 4-digit
- 2 LEDs Display unit / switching status
- 3 programming buttons
- 4 Sealing
- A active range
- I1 / inactive ranges
- I2



Product characteristics

Number of inputs and outputs	Number of digital outputs: 4
Probe length L [mm]	100...1600
Process connection	G 3/4 external thread

Application

Special feature	Gold-plated contacts
Installation	Operation only in conjunction with rod and coaxial pipe.
Media	hydrous coolants; oils; oil-based media; water; media similar to water
Dielectric constant of the medium	≥ 2
Cannot be used for	See the operating instructions, chapter "Function and features".
Medium temperature [°C]	0...80
Tank pressure [bar]	-0.5...4

LR8010



Continuous level sensor (guided wave radar)

LR0000B-BR34AVPKG/US

Electrical data		
Operating voltage	[V]	18...30 DC
Current consumption	[mA]	< 65
Protection class		III
Reverse polarity protection		yes
Power-on delay time	[s]	< 3
Inputs / outputs		
Number of inputs and outputs		Number of digital outputs: 4
Outputs		
Total number of outputs		4
Output signal		switching signal
Electrical design		PNP
Number of digital outputs		4
Output function		normally open / normally closed; (parameterisable)
Max. voltage drop switching output DC	[V]	2.5
Permanent current rating of switching output DC	[mA]	200
Short-circuit protection		yes
Type of short-circuit protection		thermal, pulsed
Overload protection		yes
Measuring/setting range		
Probe length L	[mm]	100...1600
Active range A	[mm]	L-40 (L-60); (when set to oil and oil based media)
Inactive range I1 / I2	[mm]	30 / 10 (30); (when set to oil and oil based media)
Setting range		
Set point SP	[mm]	≥ 15 (35) / $\leq L-30$
Note on setpoint SP		when set to oil and oil based media
Reset point rP	[mm]	≥ 10 (30) / $\leq L-35$
Note on reset point rP		when set to oil and oil based media
In steps of	[mm]	5
Hysteresis	[mm]	> 5
Overflow switch point OP	[mm]	70...L-30
Hysteresis, OP	[mm]	10
Accuracy / deviations		
Repeatability	[mm]	± 5
Switch point accuracy	[mm]	$\pm (15 + 0,5 \%)$; (% of the final value of the measuring range: L - 30 mm)
Operating conditions		
Ambient temperature	[°C]	0...60
Storage temperature	[°C]	-25...80
Protection		IP 67

LR8010



Continuous level sensor (guided wave radar)

LR0000B-BR34AVPKG/US

Tests / approvals		
Approval	WHG § 19	
EMC	DIN EN 61000-6-2	
	DIN EN 61000-6-4	
Shock resistance	DIN EN 60068-2-27	50 g (11 ms)
Vibration resistance	DIN EN 60068-2-6	5 g (10...2000 Hz)
MTTF [years]	183	

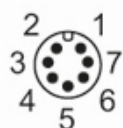
Mechanical data		
Weight [g]	402	
Materials	stainless steel (1.4404 / 316L); stainless steel (1.4301 / 304); FKM; PBT-GF20; PC; PEI; TPV	
Materials (wetted parts)	stainless steel (1.4305 / 303); probe connection: stainless steel (1.4435 / 316L); PTFE; FKM; Sealing: NBR-PPTA 20	
Process connection	G 3/4 external thread	

Displays / operating elements		
Display	Display unit	3 x LED, green
	switching status	4 x LED, yellow
	level	alphanumeric display, 4-digit
	parameter setting	alphanumeric display, 4-digit

Remarks		
Notes	For 8-pole sockets the core colours are not standardised.; Please note the wiring of the sensor and the sockets (see data sheet).	
Pack quantity	1 pcs.	

Electrical connection

Connector: 1 x M12; Contacts: gold-plated



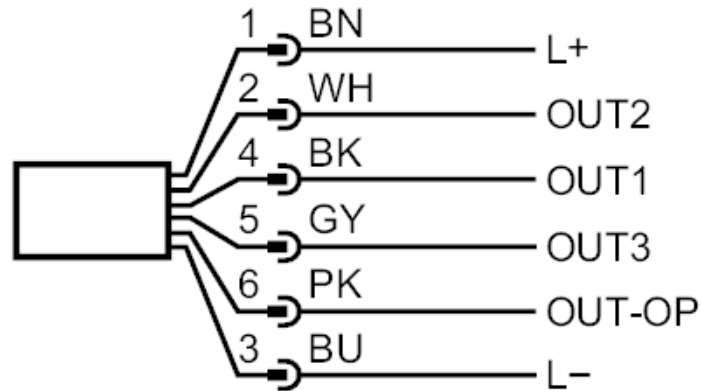
LR8010



Continuous level sensor (guided wave radar)

LR0000B-BR34AVPKG/US

Connection



colours to DIN EN 60947-5-2

Core colours :

BN =	brown
WH =	white
BK =	black
GY =	grey
PK =	pink
BU =	blue