



BUILT-IN FUSE BASE WITH SIGNAL DETECTOR FOR CYLINDRICAL FUSES SIZE 14X51 MM 50 A, 3-POLE+N

Figure similar

Model

product brand name	SENTRON
--------------------	---------

General technical data

Number of poles	3
-----------------	---

Mechanical Design

Height	mm	90
Width	mm	108
Depth	mm	70

Certificates

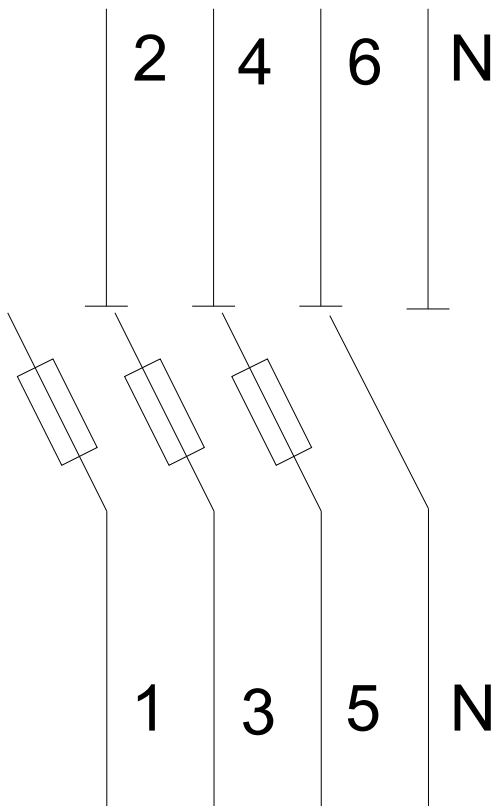
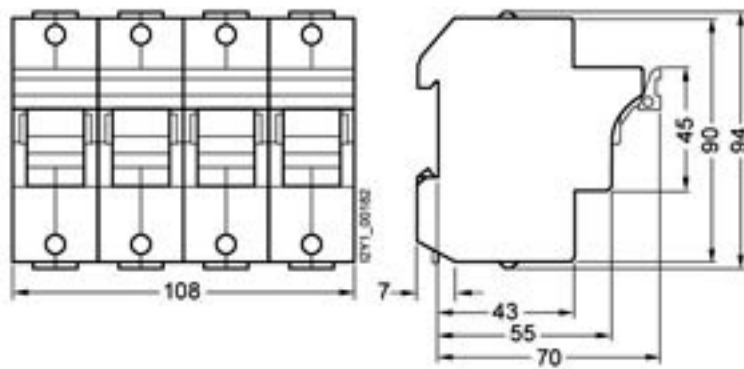
Equipment marking		
<ul style="list-style-type: none"> • acc. to DIN EN 61346-2 • acc. to DIN EN 81346-2 	F	F

General Product Approval **Declaration of Conformity**



Further information

- Information- and Downloadcenter (Catalogs, Brochures,...)**
<http://www.siemens.com/lowvoltage/catalogs>
- Industry Mall (Online ordering system)**
<https://eb.automation.siemens.com/mall/en/WW/Catalog/Product/3NW7162>
- Service&Support (Manuals, Certificates, Characteristics, FAQs,...)**
<http://support.automation.siemens.com/WW/view/en/3NW7162/all>



last modified:

11.03.2015