



Figure similar

RESIDUAL CURRENT TRANSFORMER FOR
RESIDUAL CURRENT MONITORING . .

General technical data:		
product brand name		SIRIUS
Product designation		Residual current transformer for fault current monitoring
Product feature Touch protection		Yes
Type of electrical connection at output		screw-type terminals
Operating voltage Rated value maximum	V	690
Continuous current per phase maximum	A	150
Fault current at input Rated value	A	40
Surge voltage resistance Rated value	kV	6
Equipment marking acc. to DIN EN 81346-2		B
Equipment marking acc. to DIN 40719 extended according to IEC 204-2 acc. to IEC 750		T
Equipment marking acc. to DIN EN 61346-2		B




Connections/ Terminals:		
Type of connectable conductor cross-section		
<ul style="list-style-type: none"> • solid 		1x (0.5 ... 2.5 mm ²)
<ul style="list-style-type: none"> • finely stranded <ul style="list-style-type: none"> — with core end processing 		1x (0.5 ... 1.5 mm ²)
<ul style="list-style-type: none"> • for AWG conductors <ul style="list-style-type: none"> — solid 		1x (20 ... 13)

Ambient conditions:		
Ambient temperature		
<ul style="list-style-type: none"> • during transport 	°C	-25 ... +60

• during operation	°C	-25 ... +60
• during storage	°C	-40 ... +85
Relative humidity during operation	%	95
Installation altitude at height above sea level	m	2 000

Installation/ mounting/ dimensions:		
Diameter of feed through opening	mm	55
Width	mm	92
Height	mm	64
Depth	mm	98
mounting position		standing, on horizontal mounting surface
Mounting type		Screw and rail mounting
Tightening torque with screw-type terminals	N·m	0.5 ... 0.6
Tightening torque [lbf·in] with screw-type terminals	lbf·in	4.4 ... 5.3

Certificates/ approvals:

General Product Approval	Test Certificates	other
 CCC	 EAC	 UL
	Special Test Certificate	Declaration of Conformity
	Type Test Certificates/Test Report	

Further information

Information- and Downloadcenter (Catalogs, Brochures,...)

<http://www.siemens.com/industrial-controls/catalogs>

Industry Mall (Online ordering system)

<http://www.siemens.com/industrymall>

Cax online generator

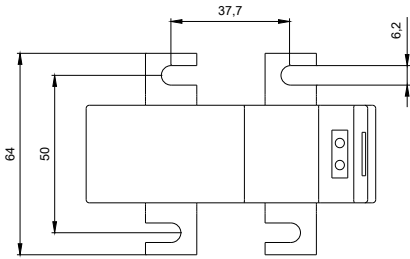
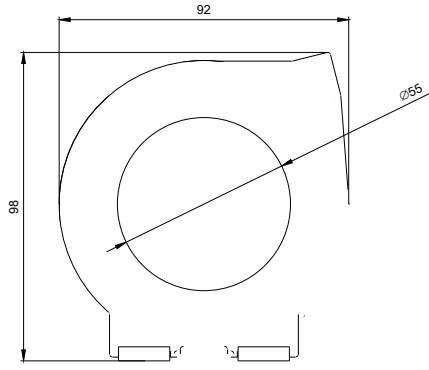
<http://support.automation.siemens.com/WW/CAXorder/default.aspx?lang=en&mlfb=3UL23031A>

Service&Support (Manuals, Certificates, Characteristics, FAQs,...)

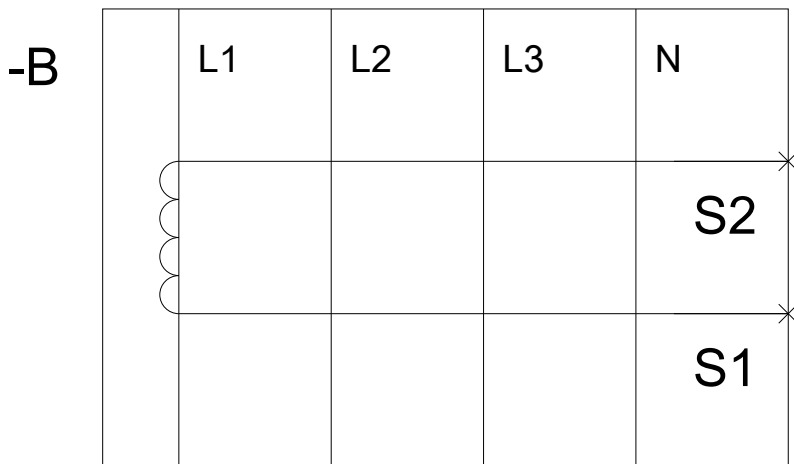
<https://support.industry.siemens.com/cs/ww/en/ps/3UL23031A>

Image database (product images, 2D dimension drawings, 3D models, device circuit diagrams, EPLAN macros, ...)

http://www.automation.siemens.com/bilddb/cax_de.aspx?mlfb=3UL23031A&lang=en



WB 4443: 3UL2303-1A_ALL



last modified:

16.03.2015