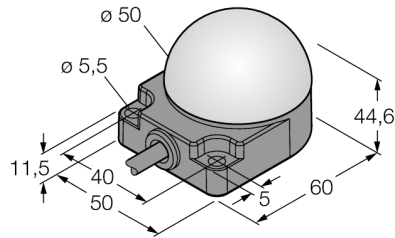
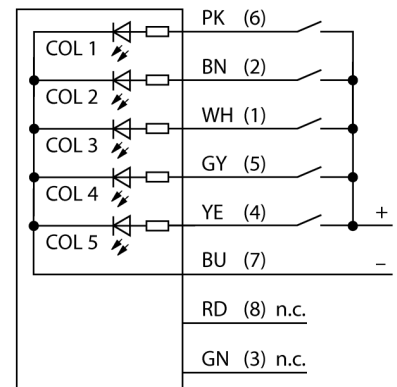


**LED indicator
beacon
K50FLGRYBWP**



- LED all-round visible
- Flat mounting
- Individually controllable
- Protection classes IP67/IP69K
- Multicolor: Green (COL 1) / Red (COL 2) / Yellow (COL 3) / Blue (COL 4) / White (COL 5)
- Kabel, 2m
- Betriebsspannung 18...30 VDC

Wiring Diagram



Functional principle

The LED is IP67 rated and thus qualified for industrial applications. Depending on the pin assignment, one of the three colors lights either steady or flashes during the period of one PNP input signal. The "2" in the type code indicates the programmable flashing function of the LED. When connecting the brown and the black wire to common ground the LED starts flashing red. You find a more detailed description of the terminal programming in the instruction leaflet delivered with the item. Alternate flashing of all colors is also possible.

Type designation	K50FLGRYBWP
Ident no.	3083452
Purpose	LED indicator light
Operating mode	Spotlight
Design	Cylinder, threaded
Connector designation	K50F
Dimensions	44.6 x 50 x 76 mm
Housing material	Plastic, PC
Window material	Plastic, diffuse
Electrical connection	Cable, 8-wire
Cable length	2 m
Protection class	IP67/IP69K
Ambient temperature	-40...+50 °C
Approvals	CE
Operating voltage	18...30 VDC
DC rated operational current	≤ 50 mA
Light type	green red yellow blue white

**LED indicator
beacon
K50FLGRYBWP**

Accessories

Type code	Ident no.	Description
SMB30A	3032723	Mounting bracket, rectangular, stainless steel, for sensors with 30mm thread
SMB30SC	3052521	Mounting bracket, PBT black, for sensors with 30 mm thread, rotatable

