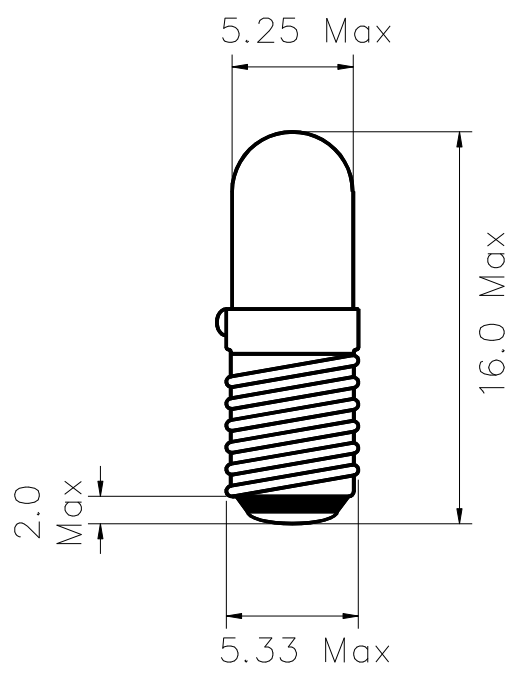


PRODUCT DATA SHEET

Part Number: N9951903

Type	Size	Rating	Description
Incandescent	T5	14V 50mA	T-1½ Midget Screw Lamp



Dimensions in millimetres

TEST VOLTS	CURRENT (mA)			LIGHT OUTPUT (Lm)			LIFE Hours
	Min.	Nom.	Max.	Min.	Nom.	Max.	
14	45	50	55	2.2	3.0	3.8	1,000

Notes:

- 1 **Base Type** E5 in accordance with BS EN 61-1
- 2 **Filament Shape** C-2F
- 3 **Lamp Marking** 14V 50mA
- 4 **Environmental** RoHS & REACH SVHC compliant