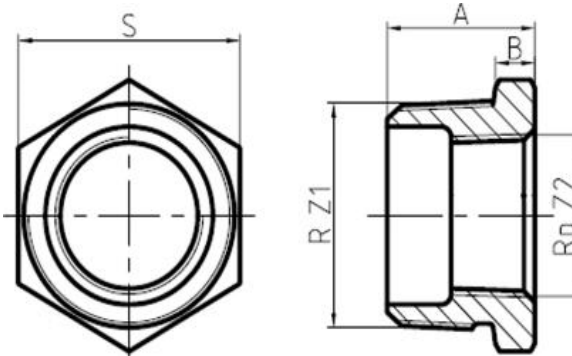


TECHNICAL INFORMATION

Type 241 Reducing Bush M/F



SIZE	A [mm]	RpZ1 RpZ2	S [mm]	B [mm]
3/8" x 1/4"	20	3/8" x 1/4"	18	6
1/2" x 1/4"	24	1/2" x 1/4"	22	6
1/2" x 3/8"	24	1/2" x 3/8"	22	5
3/4" x 1/4"	26	3/4" x 1/4"	30	6
3/4" x 3/8"	26	3/4" x 3/8"	30	6
3/4" x 1/2"	26	3/4" x 1/2"	30	9
1" x 3/8"	29	1" x 3/8"	36	7
1" x 1/2"	29	1" x 1/2"	36	7
1" x 3/4"	29	1" x 3/4"	36	7
1 1/4" x 1/2"	31	1 1/4" x 1/2"	46	8
1 1/4" x 3/4"	30	1 1/4" x 3/4"	46	8
1 1/4" x 1"	30	1 1/4" x 1"	46	8
1 1/2" x 1/2"	32	1 1/2" x 1/2"	51,5	8
1 1/2" x 3/4"	32	1 1/2" x 3/4"	51,5	8
1 1/2" x 1"	32	1 1/2" x 1"	51,5	9
1 1/2" x 1 1/4"	32	1 1/2" x 1 1/4"	51,5	9
2" x 1/2"	48	2" x 1/2"	65,5	10
2" x 3/4"	48	2" x 3/4"	66	10
2" x 1"	35	2" x 1"	64	9
2" x 1 1/4"	35	2" x 1 1/4"	64	9
2" x 1 1/2"	35	2" x 1 1/2"	64	9
2 1/2" x 1/2"	40,5	2 1/2" x 1/2"	80	10
2 1/2" x 3/4"	40,5	2 1/2" x 3/4"	80	10
2 1/2" x 1"	54,5	2 1/2" x 1"	80	13
2 1/2" x 1 1/4"	53,5	2 1/2" x 1 1/4"	79,5	13
2 1/2" x 1 1/2"	40,5	2 1/2" x 1 1/2"	80	10
2 1/2" x 2"	40,5	2 1/2" x 2"	80	10
3" x 3/4"	60	3" x 3/4"	93,5	14
3" x 1"	59	3" x 1"	94,5	14
3" x 1 1/4"	60	3" x 1 1/4"	94	14
3" x 1 1/2"	60	3" x 1 1/2"	93,5	14
3" x 2"	44	3" x 2"	94	11
3" x 2 1/2"	44	3" x 2 1/2"	94	11
4" x 1"	51	4" x 1"	120	15
4" x 1 1/4"	51	4" x 1 1/4"	120	15
4" x 1 1/2"	51	4" x 1 1/2"	120	14
4" x 2"	70	4" x 2"	120,5	15
4" x 2 1/2"	70,5	4" x 2 1/2"	120	15
4" x 3"	51	4" x 3"	120	14
5" x 4"	57	5" x 4"	147	14
6" x 3"	86	6" x 3"	180	22
6" x 4"	88	6" x 4"	180	23
6" x 5"	64	6" x 5"	175	18



Technical characteristics:

- products according to DIN EN 10242, Design Symbol A
- certified by DVGW CERT