



Product information STAK 20 grau/grey

Industrial Connecting Solutions:Rectangular Connectors:Power Connectors (ST series):Cable socket:STAK 20 grau/grey

<http://www.e-catalog.beldensolutions.com/link/57078-24228-256261-24351-24352-35728/en/conf/ui/state>

Name STAK 20 grau/grey



Cable socket with strain relief

Delivery informations

Availability available

Product description

Description Cable socket with strain relief

Type STAK 20 grau/grey

Order No. 931 264-106

Type of contact female

Number of contacts 2 + PE

Cable gland PG 7

Cable diameter 4 mm to 6.5 mm

Conductor size max. 1.5 mm²

Housing Color grey

Contact bearer color black

Technical data

Pin dimensions 2 mm

Rated voltage AC/DC 250 V

Rated current DC 10 A / AC 16 A

Contact resistance <= 5 mOhm

Type of termination screw

Material

Contact material Cu Zn

Contact surface material Sn

Contact bearer material PA

Housing material PA

Environmental conditions

Protection class (IEC 60529) IP 54

Pollution severity 3

Temperature range -30 °C to +90 °C

Inflammability class

Housing UL 94 HB

Contact bearer UL 94 V-0

Approvals

UL UL

VDE VDE

SEV SEV

Packing unit

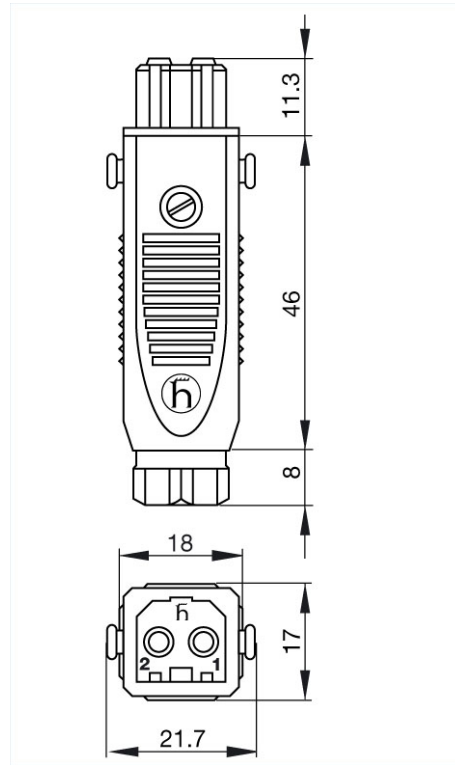
Packaging unit 100 pieces

Scope of delivery and accessories

Accessories to order separately safety brackets STASI 2,
order no. 732 044-000

Industrial Connecting Solutions:Rectangular Connectors:Power Connectors (ST series):Cable socket:STAK 20 grau/grey
<http://www.e-catalog.beldensolutions.com/link/57078-24228-256261-24351-24352-35728/en/conf/ui/state>

Picture
Drawing



Belden Deutschland GmbH
Im Gewerbepark 2
58579 Schalksmühle
Germany
Phone: +49 7127/14-1806
E-Mail: icos-sales@belden.com

The information published in the websites has been compiled as carefully as possible. It is subject to alteration without notice in technical as well as in price-related/commercial respect. The complete information and data were available on user documentation. Mandatory information can only be obtained by a concrete query.