

**PLEASE CHECK WWW.MOLEX.COM FOR LATEST PART INFORMATION**

**Part Number:** [0855045001](#)  
**Status:** **Active**  
**Overview:** Magnetic and Modular Jacks and Plugs  
**Description:** Modular Jack, Cat5e, Right-Angle, Through Hole, 8/8, Low Profile, Int. Shielded, Tray

**Documents:**

|  |  |
|--|--|
| <a href="#">3D Model</a>   | <a href="#">Packaging Specification PK-95040-001 (PDF)</a> |
| <a href="#">Drawing (PDF)</a>                                    | <a href="#">Test Summary STR-1509-001 (PDF)</a>            |
| <a href="#">Product Specification PS-85504-001-001 (PDF)</a>     | <a href="#">RoHS Certificate of Compliance (PDF)</a>       |
| <a href="#">Application Specification AS-85513-001-001 (PDF)</a> | <a href="#">Product Literature (PDF)</a>                   |

**Agency Certification**

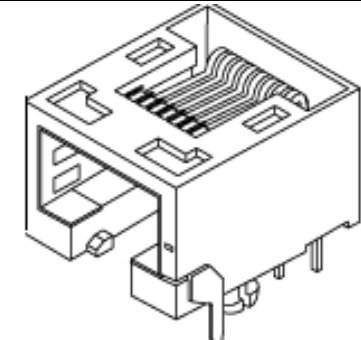
UL E107635

**General**

|                             |   |
|-----------------------------|---|
| Product Family              | Modular Jacks/Plugs                         |
| Series                      | 85504                                       |
| Comments                    | Reflow Capable, Internal Shield             |
| Component Type              | PCB Jack                                    |
| Magnetic                    | No  |
| Overview                    | <u>Magnetic and Modular Jacks and Plugs</u> |
| Performance Category        | 5e  |
| Power over Ethernet (PoE)   | N/A   |
| Product Literature Order No | 987650-8441                                 |
| Product Name                | Modular Jack 8/8, RJ45                      |
| UPC                         | 800756681368                                |

**Physical**

|                                |                                |
|--------------------------------|--------------------------------|
| Boot Color                     | N/A                            |
| Color - Resin                  | Black                          |
| Durability (mating cycles max) | 2500                           |
| Flammability                   | 94V-0                          |
| Inverted / Top Latch           | No                             |
| Jack Height                    | 11.50mm                        |
| Lightpipes/LEDs                | None                           |
| Material - Metal               | Phosphor Bronze                |
| Material - Plating Mating      | Gold over Palladium Nickel     |
| Material - Plating Termination | Tin                            |
| Material - Resin               | High Temperature Thermoplastic |
| Net Weight                     | 2.711/g                        |
| Orientation                    | Right Angle (Side Entry)       |
| PCB Locator                    | Yes                            |
| PCB Retention                  | Yes                            |
| PCB Thickness - Recommended    | 1.57mm                         |
| Packaging Type                 | Tray                           |
| Pitch - Mating Interface       | 1.02mm                         |
| Pitch - Termination Interface  | 1.27mm                         |
| Plating min - Mating           | 0.051µm, 0.600µm               |
| Plating min - Termination      | 1.905µm                        |
| Ports                          | 1                              |
| Positions / Loaded Contacts    | 8/8                            |
| Surface Mount Compatible (SMC) | No                             |
| Temperature Range - Operating  | -40° to +85°C                  |
| Termination Interface: Style   | Through Hole                   |
| Waterproof / Dustproof         | No                             |
| Wire/Cable Type                | N/A                            |



Series image - Reference only

**EU ELV**

**Not Relevant**

**EU RoHS**

**Compliant**

**REACH SVHC**

Not Contained Per -  
ED/61/2018 (27 June  
2018)

**Halogen-Free**

**Status**

**Low-Halogen**

For more information, please visit [Contact US](#)

China ROHS

ELV

RoHS Phthalates

**China RoHS**

Green Image

Not Relevant

Not Contained

**Search Parts in this Series**

[85504](#) Series

**Mates With**

[95043](#) Modular Plug, Short Body

**Electrical**

|                               |         |
|-------------------------------|---------|
| Current - Maximum per Contact | 1.5A    |
| Grounding to PCB              | Yes     |
| Shielded                      | Yes     |
| Voltage - Maximum             | 125V DC |

**Solder Process Data**

|  |      |
|--|------|
| Duration at Max. Process Temperature (seconds) | 040  |
| Lead-free Process Capability                   | WAVE |
| Max. Cycles at Max. Process Temperature        | 001  |
| Process Temperature max. C                     | 260  |

**Material Info****Reference - Drawing Numbers**

|                           |                  |
|---------------------------|------------------|
| Application Specification | AS-85513-001-001 |
| Packaging Specification   | PK-95040-001     |
| Product Specification     | PS-85504-001-001 |
| Sales Drawing             | SD-85504-501     |
| Test Summary              | STR-1509-001     |

This document was generated on 10/25/2018

**PLEASE CHECK [WWW.MOLEX.COM](http://WWW.MOLEX.COM) FOR LATEST PART INFORMATION**