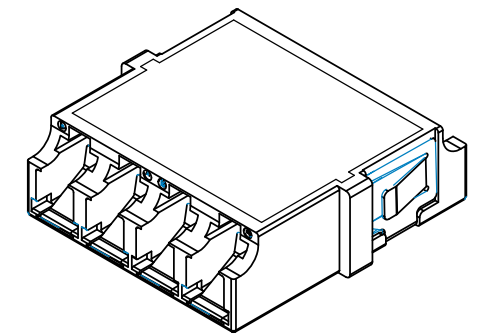
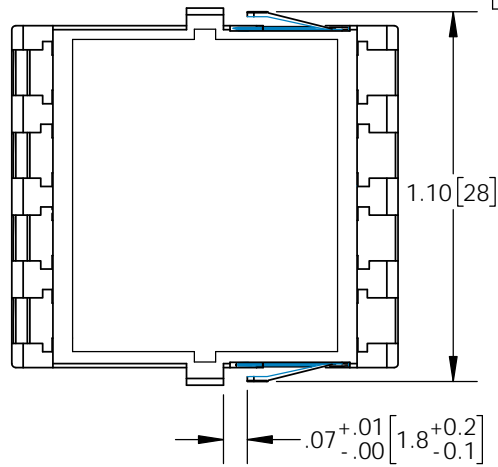
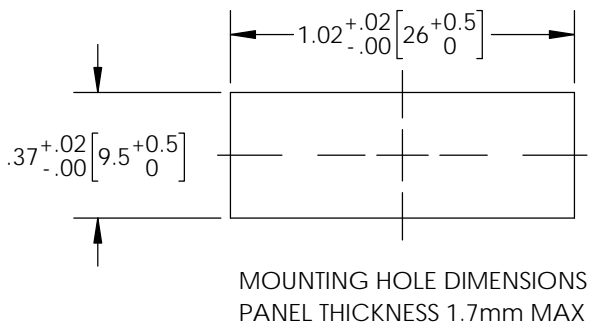
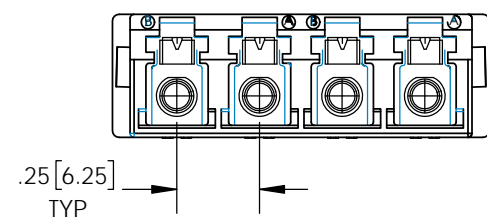
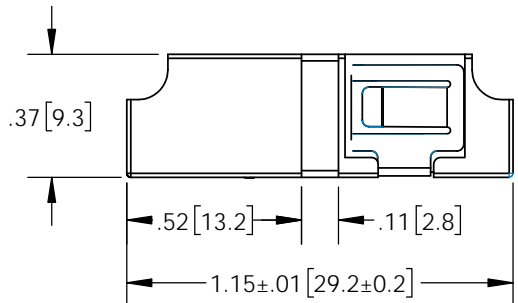
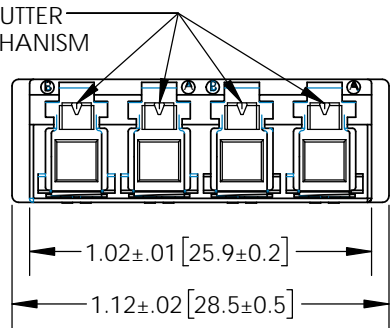


THE INFORMATION CONTAINED IN THIS DRAWING IS THE SOLE PROPERTY OF L-COM, INC. ANY REPRODUCTION IN PART OR WHOLE WITHOUT THE WRITTEN PERMISSION OF L-COM, INC. IS PROHIBITED.

REVISIONS			
REV	DESCRIPTION	DATE	APPROVED
A	REV A DRAWING RELEASED	10/05/2018	BPUCHASKI



AUTOMATIC SHUTTER MECHANISM



NOTES:

MATERIALS:
 BODY: PBT (COLOR:BEIGE)
 SLEEVE: ZR
 DUST CAP (4X): TPE (NOT SHOWN)

PACKAGING:
 COMPONENT SHALL BE PACKAGED IN ACCORDANCE WITH L-COM SPEC PS-0031

- ALL DIMENSIONS FOR REFERENCE-

REGULATORY COMPLIANCE:
 CE2011/65/EU(RoHS DIRECTIVE)

UNLESS OTHERWISE SPECIFIED, DIMENSIONS ARE IN INCHES [mm] DIMENSIONAL TOLERANCES: .X = ±.1 [2.54] .XX = ±.01 [.25] .XXX = ±.005 [.13] ANGULAR TOLERANCES: ALL = ± 1°	APPROVALS	DATE			50 HIGH STREET NORTH ANDOVER, MA 01845						
	DRAWN BY BPUCHASKI	10/03/2018			CATEGORY	FIBER OPTICS					
	CHECKED BY DFRISIELLO	10/03/2018	PRODUCT DESCRIPTION	LC CPLR QUAD SHUTTERED, ZR SLEEVE							
	APPROVED BY DGUTTADAURO	10/03/2018	CONFIGURATION DETAILS OF UNDIMENSIONED FEATURES MAY VARY	<table border="1"> <tr> <td>SIZE</td> <td>FSCM NO.</td> <td>DWG. NO.</td> <td>REV.</td> </tr> <tr> <td>A</td> <td>43321</td> <td>FOA-807-BGE</td> <td>A</td> </tr> </table>	SIZE	FSCM NO.	DWG. NO.	REV.	A	43321	FOA-807-BGE
SIZE	FSCM NO.	DWG. NO.	REV.								
A	43321	FOA-807-BGE	A								
PROJECTION	COLOR VARIATIONS MAY OCCUR	SCALE: NONE	CAD FILE: FOA-807-BGE.SLDDRW	SHEET 1 OF 1							