

# Customer Information Sheet

DRAWING No.: S1751-XX

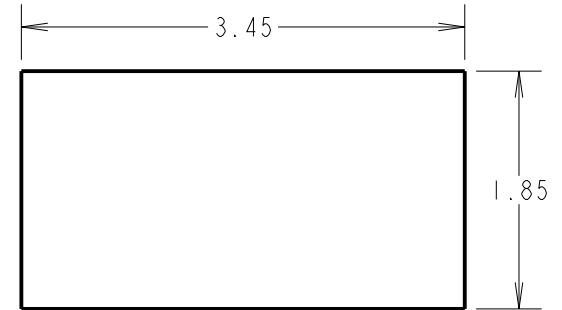
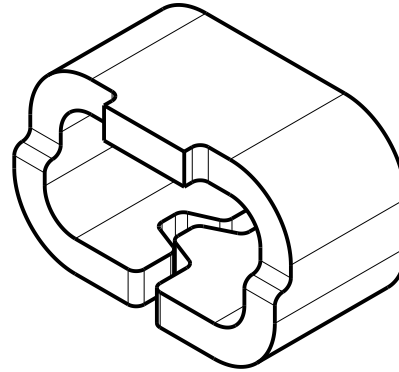
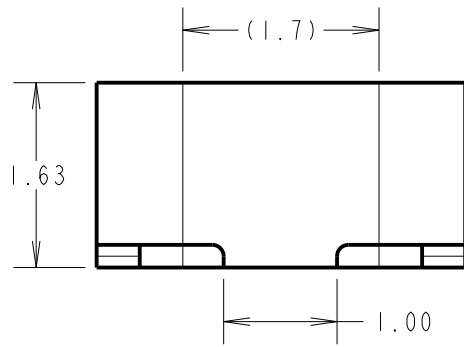
IF IN DOUBT - ASK

©

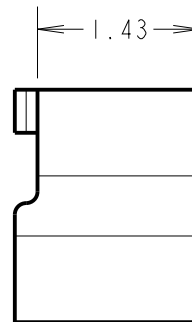
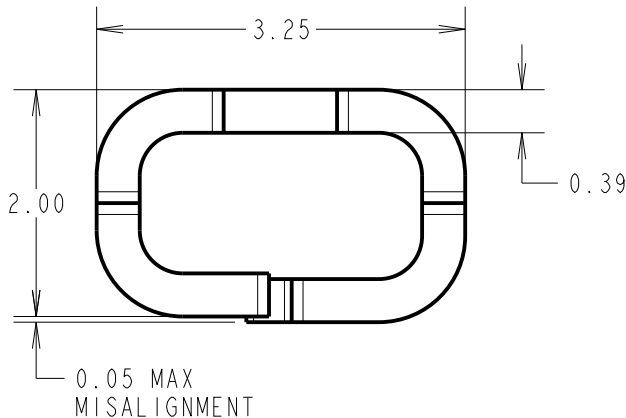
NOT TO SCALE

THIRD ANGLE PROJECTION

ALL DIMENSIONS IN mm



RECOMMENDED PAD LAYOUT  
TOLERANCE  $\pm 0.05\text{mm}$



ORDER CODE	FINISH
S1751-06	TIN/LEAD
S1751-46	100% TIN

- NOTES:
- FOR TAPE AND REELED COMPONENTS, SEE DRAWING S1751-XXR.
  - PACKING: 1,000 PER BAG.

SPECIFICATIONS:  
 MATERIAL = BRASS  
 FINISH:  
 06 =  $4\mu\text{m}$  90/10 TIN/LEAD  
 46 =  $4\mu\text{m}$  100% TIN  
 ELECTRICAL:  
 CURRENT RATING = 2A MAX  
 CONTACT RESISTANCE =  $20\text{m}\Omega$  MAX  
 ENVIRONMENTAL:  
 OPERATING TEMPERATURE =  $-55^\circ\text{C}$  TO  $+125^\circ\text{C}$

RTP	9	23.02.23	32287
NAME	ISS.	DATE	CN/CO
APPROVED: R.PORTLOCK			
CHECKED: F.CHRISPINE			
DRAWN: W. J. BOURNE			
CUSTOMER REF.:			
ASSEMBLY DRG:			

## HARWIN

www.harwin.com  
technical@harwin.com

THIS DRAWING AND ANY INFORMATION OR DESCRIPTIVE MATTER SET OUT HEREON ARE CONFIDENTIAL AND COPYRIGHT PROPERTY OF THE HARWIN GROUP AND MUST NOT BE DISCLOSED, LOANED, COPIED OR USED FOR MANUFACTURING, TENDERING OR FOR ANY OTHER PURPOSE WITHOUT THEIR WRITTEN PERMISSION.

TOLERANCES  
 X. =  $\pm 1\text{mm}$   
 X.X =  $\pm 0.50\text{mm}$   
 X.XX =  $\pm 0.20\text{mm}$   
 X.XXX =  $\pm 0.01\text{mm}$   
 ANGLES =  $\pm 5^\circ$   
 UNLESS STATED

MATERIAL:

SEE ABOVE

FINISH: SEE ABOVE

S/AREA: mm<sup>2</sup>

TITLE:

SURFACE MOUNT TEST TERMINAL  
(LOOSE)

DRAWING NUMBER:

**S1751-XX**

SHT  
2 OF 2