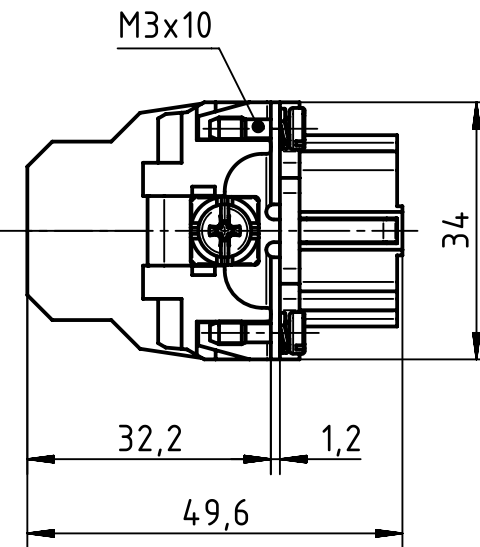
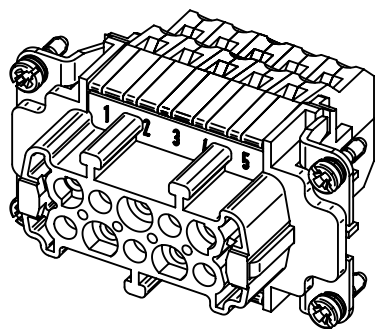
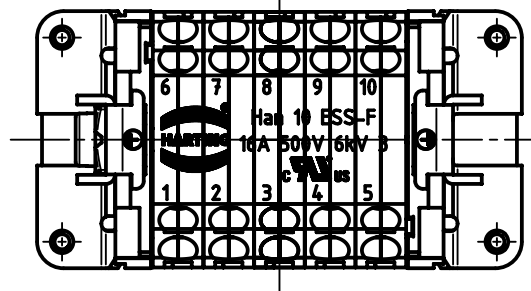


X



X
180°



	All Dimensions in mm Original Size DIN A4	Scale 1:1		Free size tol.		Ref.	
		Created by VOLAR		Inspected by PRIESTER		Date 2016-09-16	
	All rights reserved Department EL PD - DE	Standardisation TIEMANNA		State Final Release		Doc-Key / ECM-Nr. 1001301179/UGD/003/A 500000102262	
		Title Han ESS 10 Pos. F Insert Double Cage Cla		Type TB		Number 09 33 010 2772	
HARTING Electric GmbH & Co. KG D-32339 Espelkamp						Page 1/1	