

USHIO

EmArc®



METAL ARC LAMPS

EmArc® ENHANCED METAL ARC LAMPS

EmArc® lighting technology is the culmination of a dedicated effort to bring together the inherent advantages of a number of gas discharge sources into a single light source. The technology equates to a critical blending of rare gas and metal additives to derive, in a single source, many of the key properties and benefits of stand alone Xenon, Metal Halide and Mercury lamps.

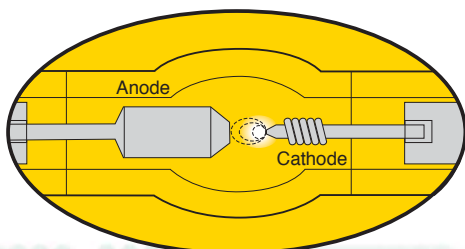
EmArc® light sources are a series of highly efficient, Enhanced Metal Arc, DC gas discharge lamps designed for use in medical, scientific, industrial and entertainment settings. EmArc® lamps are a progressive step ahead in lighting technology possessing features that offer advantages to an array of users for imaging, fiber optic and other important optical applications.

EmArc® lamps have geometric designs which enable alignment in dichroic visible light or UV specific coated reflectors facilitating use in numerous applications like lighting for minimally invasive surgery, curing of light sensitive resins and adhesives and, dental whitening procedures. EmArc® versatility enables its use in a number of entertainment applications including searchlights, followspots, special effects and automated fixtures.

EmArc® lamps are comparable to Metal Halide sources in luminous efficacy but with 2 times to 5 times the life. A correlated color temperature like that of Xenon at 6000K, with very small arc gap sizes, but with 2 times the luminous efficacy of Xenon lamps.

EmArc® technology differentiates itself as a new family of discharge lamps.

**High luminance at tip of cathode
with DC arc discharge**



FEATURES & BENEFITS

- Medical fiber optics for endoscopy or headlight illumination
- Biotechnology/ micro-array
- Industrial UV curing
- Machine vision
- Cosmetic dentistry
- Projection / Entertainment
- Microscopy
- Entertainment

The construction of EmArc® arc tubes, electrodes and precise filling technique provide the environment for the tightly confined plasma arc discharge. EmArc® light output over time exceeds that of typical DC Xenon and AC short-arc Metal Halide lamps

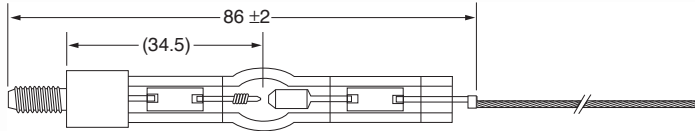
See FEATURES & BENEFITS on back

USHIO

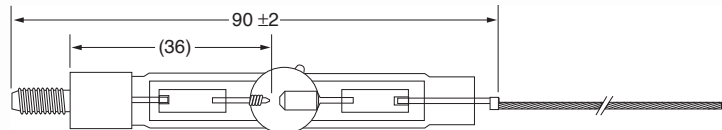
CHARACTERISTICS & SPECIFICATIONS

EmArc®

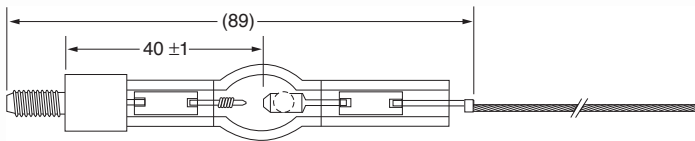
DOUBLE ENDED BARE BURNER VERSIONS



(1) SMH-200/D1



(2) SMH-350/D2



(3) SMH-600/D1

All dimensions are in millimeters

Wattage Power Range (W)	Ushio Lamp Description	Lamp Current (A)	Lamp Voltage (V)	Arc Gap (mm)	Luminous Flux (lm) nom	Avg Rated Life** (h)	Color Temp*** (K)	Fig No.
DOUBLE ENDED BARE BURNER VERSIONS								
160-200	SMH-200/D1	4.65	43	1.2	10000	2000	6000	1
350	SMH-350/D2	7.3	48	1.8	21000	2000	6000	2
600	SMH-600/D1	8.8	68	3.0	44000	1000	5700	3

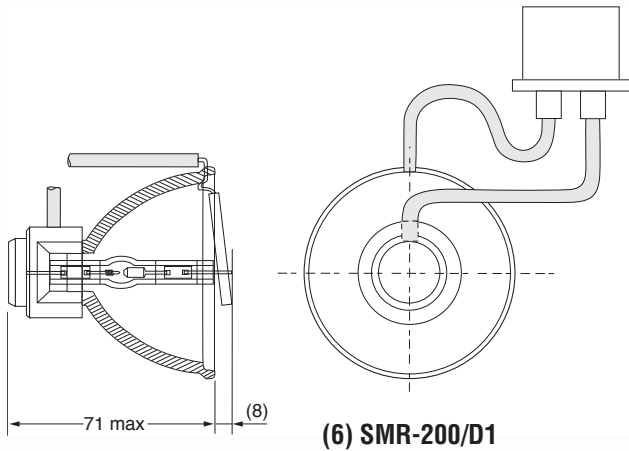
** Based on 50% spherical lumen depreciation at a duty cycle of 2 hours 45 minutes ON and 15 minutes OFF

*** As measured in a sphere. All values \pm 500K from nominal

USHIO

CHARACTERISTICS & SPECIFICATIONS

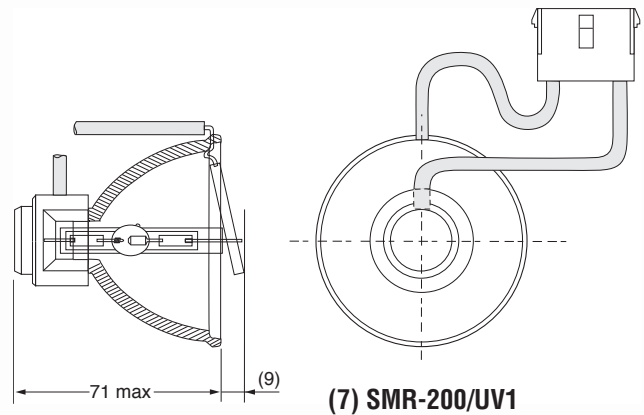
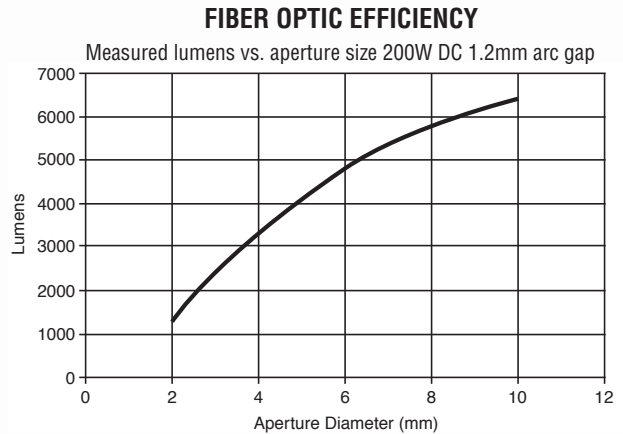
EmArc[®] REFLECTORIZED VERSIONS 70mm Reflector



(6) SMR-200/D1

Lamp aligned for maximum throughput thru 6mm aperture at 52mm distance from reflector rim

All dimensions are in millimeters



(7) SMR-200/UV1

Wattage Power Range (W)	Ushio Ordering Code	Ushio Lamp Description	Lamp Current (A)	Lamp Voltage (V)	Arc Gap (mm)	Luminous Flux* (lm) nom	Avg Rated Life ** (h)	Color Temp*** (K)	Fig No.
REFLECTORIZED VERSIONS									
160-200	5001399	SMR-200/D1	4.65	43	1.2	5100/6mm Aperture	2000	6500	6
160-200	5001523	SMR-201/D1	4.25	47	1.6	5500/8mm Aperture	2500	6500	6
160-200	5001466	SMR-202/D1	3.5	56	2.0	5900/10mm Aperture	4000	6900	6
160-200	5001506	•SMR-200/UV1	5.0	40	1.2	—	1500	—	7

•Radiant output is >5W

* Based on measurement through aperture into a sphere

** Based on 50% spherical lumen depreciation at a duty cycle of 2 hours 45 minutes ON and 15 minutes OFF

*** As measured in a sphere. All values \pm 500K from nominal

USHIO

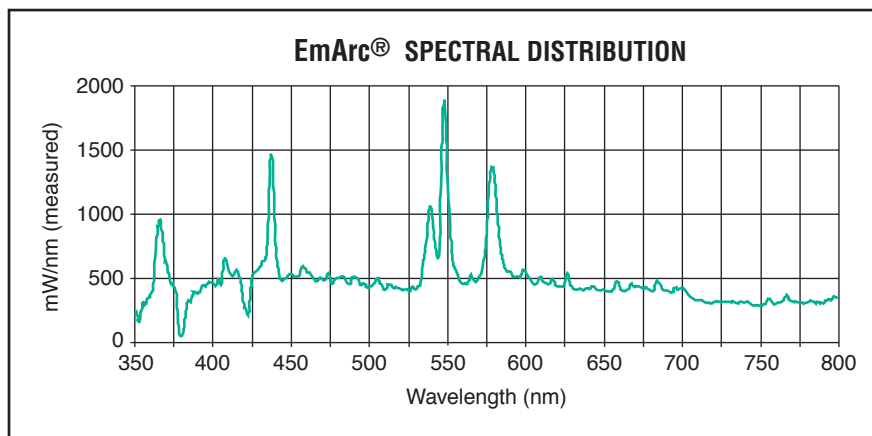
METAL ARC LAMPS

EmArc®

ENHANCED METAL ARC TECHNOLOGY

FEATURES & BENEFITS

- Power ranges from 150-600 watts— versatility/ power tunability
- Custom reflector designs available
- Small arc gap sizes— down to 1.2mm highly effective optical collection capability
- Unique hybrid gas discharge technology— 2,000 hours of life; no internal pressure when cold
- Emarc® DC technology— enables operation on lower cost DC power supplies reducing OEM system design costs
- 6000K correlated color temperature— Xenon-like light for crisp, white imaging
- Hot reignition
- Up to 60 lumens per watt efficacy— two times that of Xenon sources
- Highly durable, rugged elliptical and parabolic reflector designs— very high light path efficiencies for small diameter fiber optic bundle applications
- Precise filling control, electrode design and tight manufacturing tolerances with tipless arc tube construction allows for tightly confined and stable plasma discharge, long life with minimal color temperature drift over life, better optical control, no shadowing
- Far better color control over life than conventional metal halide lamps



Made in USA

Form No. S-EmArc/R-0212: The specifications on this sheet supercede all previously published specifications and may be subject to change for design and specification improvement without prior notice.



Scan with a smartphone to view this product online.

© 2012 USHIO America, Inc. All rights reserved.