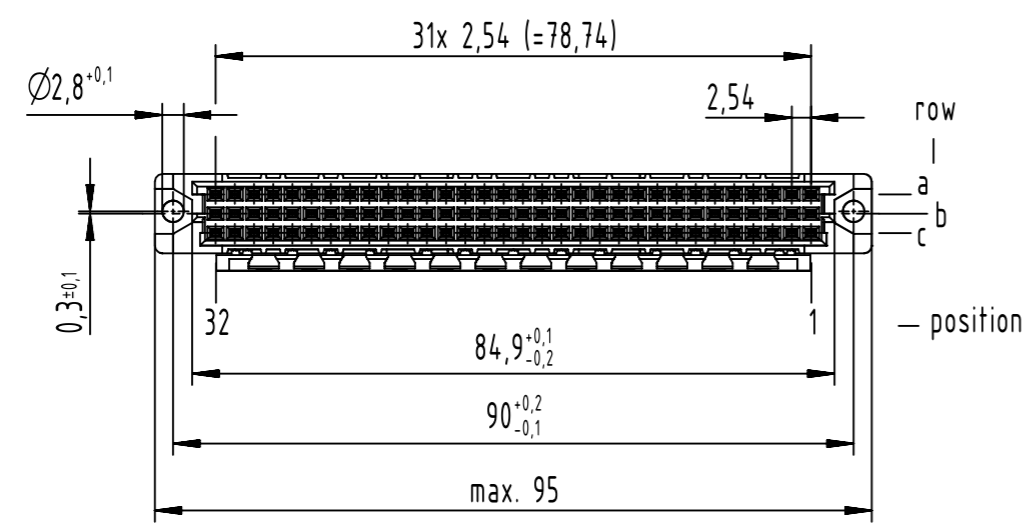
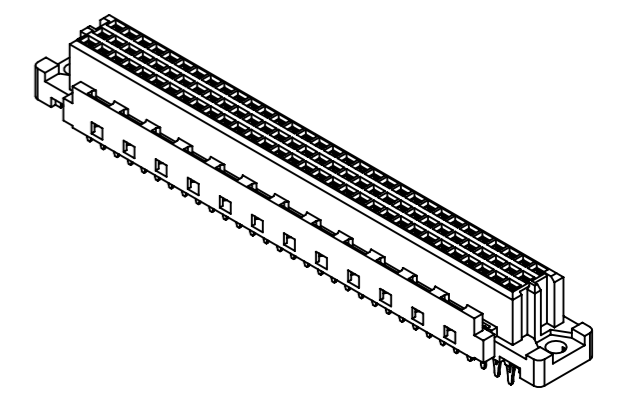
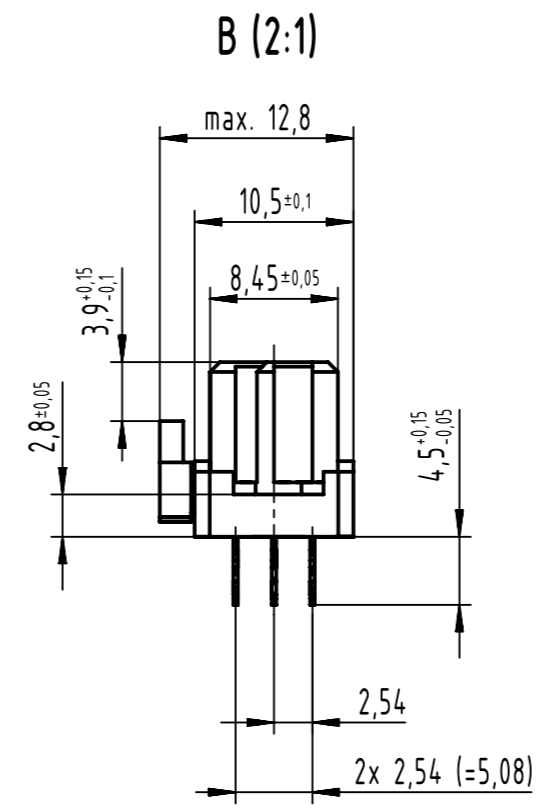
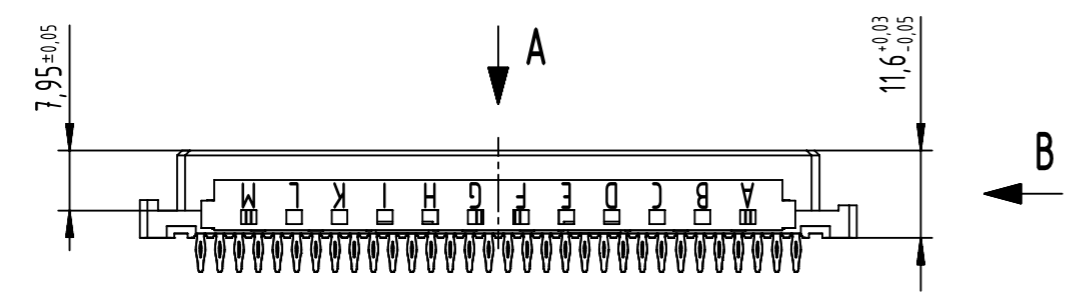


96 press-in contacts  
 ☒ = press-in contact  
 □ = position without contact



1 recommended configuration of plated through holes and further information see product data sheet

09 03 796 6850 222	2
part no.	performance level

All rights reserved Department EL PD HARTING D-32339 Espelkamp	All Dimensions in mm Original Size DIN A3	Scale 1:1 Free size tol. complementary IEC 60603-2	Ref. Sub.	Created by STORCK	Inspected by LEHNERT	Standardisation 302077	Date 2021-03-12	State Final Release	Doc-Key / ECM-Nr. 100173852/UGD/230/F 500000191083
	Title DIN Signal type C female press-in with coding NFF	Type TB	Number 0903796X850222	Rev. F	Page 1/1				