

6609113-1 ✓ ACTIVE

Corcom | Corcom C

TE Internal #: 6609113-1

Corcom C, Multi-Function Inlet Filters, Power Entry Module, None Input, DPST, Filter Shield, Vertical, Leakage Current (Max) (120VAC, 60Hz) 250 μ A

[View on TE.com >](#)



EMI Filters > Multi-Function Inlet Filters > CORCOM C SERIES MULTI-FUNCTION INLET FIL



Filter Type: **Power Entry Module**

Input Voltage Selection: **None**

Filter Switch Type: **DPST**

Filter Shield Type: **Filter Shield**

Mount Angle: **Vertical**

[All CORCOM C SERIES MULTI-FUNCTION INLET FIL \(8\)](#)

Features

Product Type Features

Ground Choke Option	No
Ground Option	None
Filter Type	Power Entry Module
Filter Switch Type	DPST
Filter Input Termination Type	IEC
Filter Output Termination Type	.250" FASTON
Filtering Requirements	Filtered
Filter Connector Type	IEC 320/C-14

Configuration Features

Extender Options	None
------------------	------

Electrical Characteristics

Input Voltage Selection	None
Leakage Current (Max) (120VAC, 60Hz)	250 μ A
Leakage Current (Max) (250VAC, 50Hz)	400 μ A
Filter Current Rating	1 A
Voltage Rating (Max)	250 VAC

Body Features



Filter Shield Type	Filter Shield
--------------------	---------------

Mechanical Attachment

Mount Angle	Vertical
Filter Mount Style	Flanged

Usage Conditions

Operating Temperature Range	-10 – 40 °C
-----------------------------	-------------

Product Compliance

[For compliance documentation, visit the product page on TE.com>](#)

EU RoHS Directive 2011/65/EU	Compliant
EU ELV Directive 2000/53/EC	Compliant
China RoHS 2 Directive MIIT Order No 32, 2016	No Restricted Materials Above Threshold
EU REACH Regulation (EC) No. 1907/2006	Current ECHA Candidate List: JAN 2021 (211) Candidate List Declared Against: JAN 2021 (211) Does not contain REACH SVHC
Halogen Content	Low Halogen - Br, Cl, F, I < 900 ppm per homogenous material. Also BFR/CFR/PVC Free
Solder Process Capability	Not applicable for solder process capability

Product Compliance Disclaimer

This information is provided based on reasonable inquiry of our suppliers and represents our current actual knowledge based on the information they provided. This information is subject to change. The part numbers that TE has identified as EU RoHS compliant have a maximum concentration of 0.1% by weight in homogenous materials for lead, hexavalent chromium, mercury, PBB, PBDE, DBP, BBP, DEHP, DIBP, and 0.01% for cadmium, or qualify for an exemption to these limits as defined in the Annexes of Directive 2011/65/EU (RoHS2). Finished electrical and electronic equipment products will be CE marked as required by Directive 2011/65/EU. Components may not be CE marked. Additionally, the part numbers that TE has identified as EU ELV compliant have a maximum concentration of 0.1% by weight in homogenous materials for lead, hexavalent chromium, and mercury, and 0.01% for cadmium, or qualify for an exemption to these limits as defined in the Annexes of Directive 2000/53/EC (ELV). Regarding the REACH Regulation, the information TE provides on SVHC in articles for this part number is based on the latest European Chemicals Agency (ECHA) 'Guidance on requirements for substances in articles' posted at this URL: <https://echa.europa.eu/guidance-documents/guidance-on-reach>

Compatible Parts




TE Part # CAT-C8114-102
CORCOM C SERIES MULTI-FUNCTION INLET FIL



TE Part # CAT-C8114-C101
CORCOM C SERIES IEC UNFILTERED INLETS



TE Part # 1609142-1
GA400 POWER LINE CO=F6946



TE Part # CAT-C8114-C34
CORCOM CH SERIES MULTI-FUNCTION INLET FI

Also in the Series | Corcom C



IEC Unfiltered Inlets(8)



Multi-Function Inlet Filters(8)

Customers Also Bought



TE Part #1-5747150-3
D-Sub Receptacle Assembly: Vertical, Shell Size 1, 2.74mm



TE Part #1408150-1
MMCX Connector: Male (Jack)



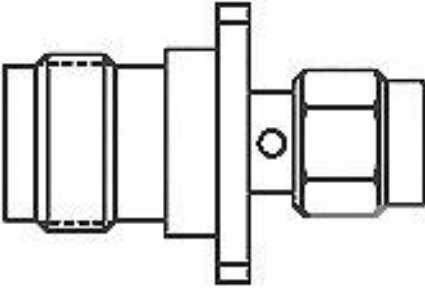
TE Part #1410189-3
MULTIGIG RT T2 7RW H-LFT,ET2



TE Part #1-1469492-9
MULTIGIG RT 9MM GUIDE/ESD UNKE



TE Part #1367147-1
SFP COVER, UNPLATED



TE Part #1057857-1
3182 2243 00



TE Part #1241050-7
2x7P MOD II BREAK AWAY HDR,SMD, BLISTER



TE Part #1622188-1
LR0204 1% 1M0



TE Part #1622855-1
CRG0603 1% 160K



TE Part #9-2176309-0
RP 1E 0.1W 84R5 0.1% 25PPM 1K RL



Documents

CAD Files

3D PDF

3D

Customer View Model

[ENG_CVM_6609113-1_A.3d_igs.zip](#)

English

Customer View Model

[ENG_CVM_6609113-1_A.3d_stp.zip](#)

English

Customer View Model

[ENG_CVM_6609113-1_A.2d_dxf.zip](#)

English

By downloading the CAD file I accept and agree to the [Terms and Conditions](#) of use.

Datasheets & Catalog Pages

[1654001_CORCOM_PRODUCT_GUIDE](#)

English

[1654001_Corcom_Product_Guide_C_Series](#)

English

[1-1654250-1_CORCOM_EMI_RFI_QRG](#)

English

[Corcom Combined Selector Charts](#)

English