

DATASHEET

Item No.: 2542819

Type designation: HR03 Common: AAA

Chemical system: Ni-MH

Nominal voltage: 1.2 V

Weight: Approximate 13 g

Dimension (mm)

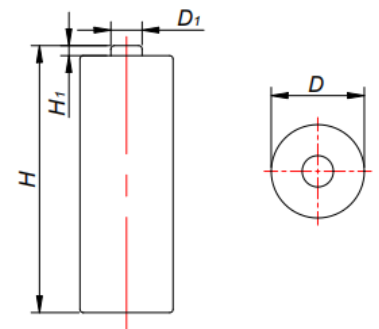
The dimensions shall be in accordance with the below figures both prior to and after the service output test.

Measuring equipment shall be with a minimum accuracy of $\pm 0.05\text{mm}$.

尺寸及形状(单体)/Measurement & Dimensions(cell)

如图所示/ to see the drawing:

D	9.8-10.5mm
H	43.0-44.5mm
D1	$3.7 \pm 0.2\text{mm}$
H1	$1.7 \pm 0.3\text{mm}$



Capacity: 1000 mAh (10 mA, 24 h/d, 20°C, e.v.= 1.0 V)

Operating temperature: -20 °C ~ 55 °C

Recommend storage temperature: $20 \pm 2^\circ\text{C}$

Shelf lifetime: 5 Years