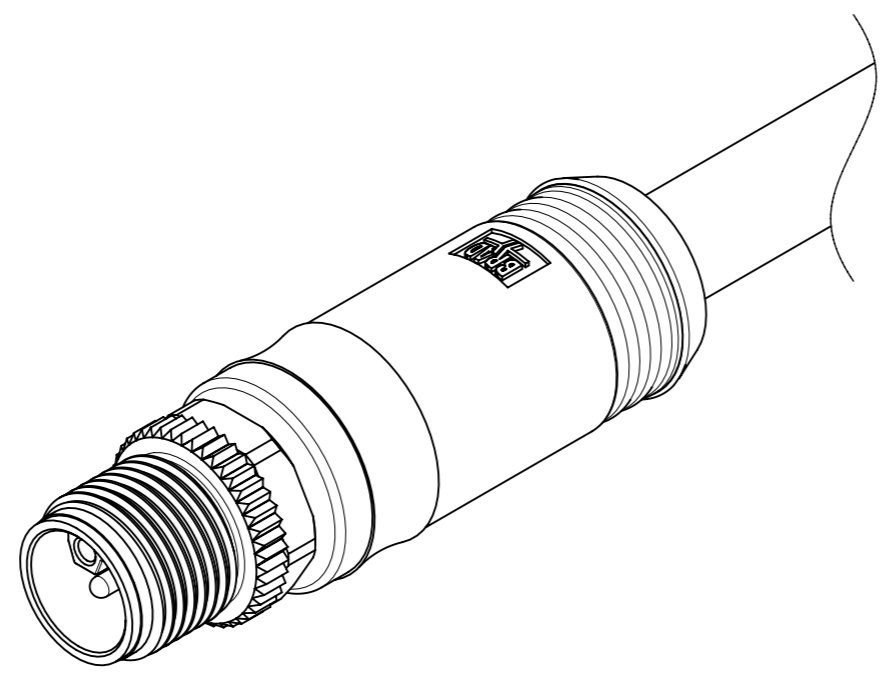
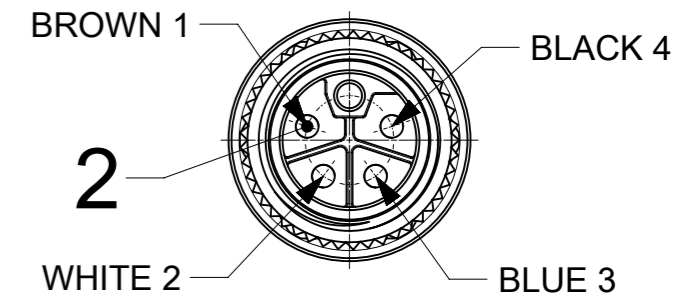


MATING SIDE



NOTES:

RATED VOLTAGE: MAX. 63V AC/DC  
 RATED CURRENT: MAX. 12A at 40°C (derating has to be considered)  
 IP RATING: IP67 (mated and locked condition)  
 TEMPERATURE RANGE: -25°C TO +85°C

CABLE PRINTING (sequence as shown below):  
 - MOLEX part number  
 - "Made in " COUNTRY OF ORIGIN  
 - MOLEX AND DATE OF MANUFACTURING (YY=YEAR; WW=WEEK): MXYWW  
 - Not for current interrupting

PART ACCORDING PRODUCT SPEC: 1205010169  
 PACKAGING ACCORDING PACKAGING SPEC: 1201202000

TABLE 1

POS	DESCRIPTION	MATERIAL	FINISH
1	NUT M12 MA	BRASS	Ni
2	CONTACT 15 MA	BRASS	Au
3	INSERT	PA	BLACK
4	OVERMOLD	TPE	BLACK
5	CABLE 4x1.5 D7.9 WSOR	PUR	BLACK
OPTIONAL 6	ID CARRIER	-	-

FUNCTIONAL SYMBOLS $\nabla_A = 0$ $\nabla_E = 0$ $\nabla_V = 0$	THIS DRAWING CONTAINS INFORMATION THAT IS PROPRIETARY TO MOLEX ELECTRONIC TECHNOLOGIES, LLC AND SHOULD NOT BE USED WITHOUT WRITTEN PERMISSION	CURRENT REV DESC: UPDATED ATTRIBUTE TO GENERAL MARKET IN ECTR				
	DIMENSION UNITS: mm	SCALE: 2:1	CSE M12 4P LC MA STR WSOR BK XM UNSH 1.5			
	GENERAL TOLERANCES (UNLESS SPECIFIED)	ANGULAR TOL ± 1.0°		PRODUCT CUSTOMER DRAWING		
	4 PLACES ±	3 PLACES ±		DOCUMENT NUMBER: 1205000342		
2 PLACES ± 0.05	1 PLACE ± 0.3		EC NO: 735577		DOC TYPE: PSD	
0 PLACES ± 0.5	DRAFT WHERE APPLICABLE MUST REMAIN WITHIN DIMENSIONS		DRWN: FDAFERNER		DOC PART: 000	
THIRD ANGLE PROJECTION		DRAWING: A3-SIZE	SERIES: 120500	REVISION: A1		
MATERIAL NUMBER: SEE TABLE 2		CUSTOMER: GENERAL MARKET		SHEET NUMBER: 1 OF 2		

# ENGINEERING NO - NUMERICAL CODE (Available parts see PART LIST table. Other parts available upon request).

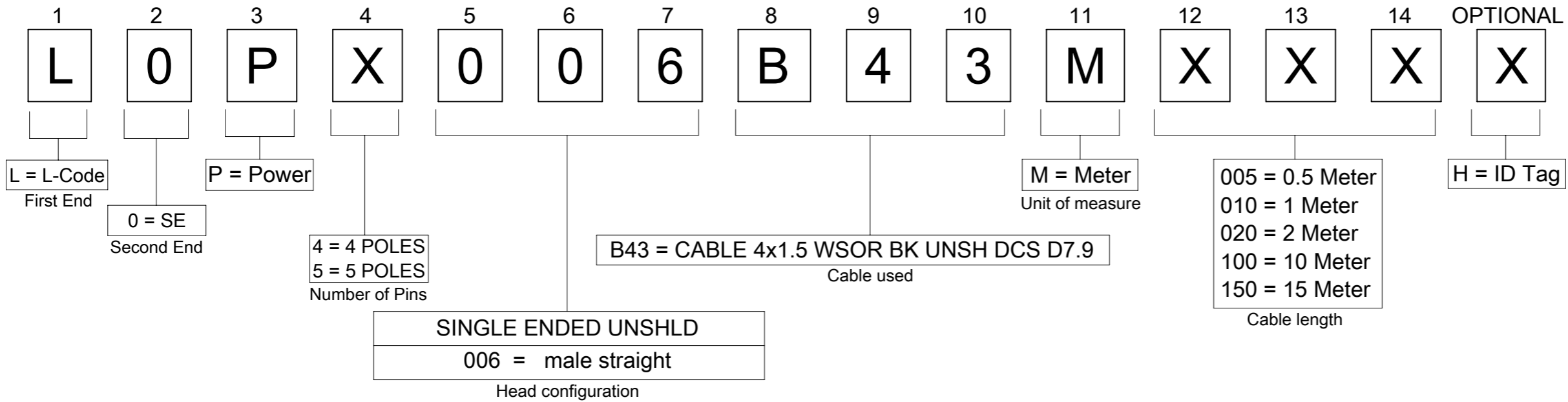


TABLE 2

NOMINAL SECTION 1,5mm <sup>2</sup>			
MATERIAL NO.	ENGINEERING NO.	L [mm]	TOLERANCE [mm]
1205000342	L0P4006B43M010	1000	+40
1205000343	L0P4006B43M020	2000	+60
1205000344	L0P4006B43M030	3000	+60
1205000345	L0P4006B43M050	5000	+60
1205000346	L0P4006B43M100	10000	+80
1205000347	L0P4006B43M150	15000	+140
1205000348	L0P4006B43M200	20000	+140

FUNCTIONAL SYMBOLS	THIS DRAWING CONTAINS INFORMATION THAT IS PROPRIETARY TO MOLEX ELECTRONIC TECHNOLOGIES, LLC AND SHOULD NOT BE USED WITHOUT WRITTEN PERMISSION		
	$\nabla_A = 0$ $\nabla_B = 0$ $\nabla_C = 0$	DIMENSION UNITS <b>mm</b>	SCALE <b>1:1</b>
DIVISIONAL SYMBOLS	GENERAL TOLERANCES (UNLESS SPECIFIED)		EC NO: 735577 DRWN: NIKHIS3 CHK'D: RSILLER APPR: RSILLER
	ANGULAR TOL $\pm 1.0^\circ$		
	4 PLACES	$\pm$	INITIAL REVISION: DRWN: FDAFERNER APPR: RSILLER
	3 PLACES	$\pm$	
	2 PLACES	$\pm 0.05$	
1 PLACE	$\pm 0.3$	2020/08/19 2022/12/05	
0 PLACES	$\pm 0.5$		
DRAFT WHERE APPLICABLE MUST REMAIN WITHIN DIMENSIONS		THIRD ANGLE PROJECTION	DRAWING <b>A3-SIZE</b>
		SERIES	MATERIAL NUMBER <b>120500</b>
		CUSTOMER	DOCUMENT NUMBER <b>1205000342</b>
			DOC TYPE <b>PSD</b>
			DOC PART <b>000</b>
			REVISION <b>A1</b>
			SHEET NUMBER <b>2 OF 2</b>