

PLEASE CHECK WWW.MOLEX.COM FOR LATEST PART INFORMATION

Part Number: [0731000135](#)
Status: **Active**
Overview: TNC RF Connectors
Description: 50 Ohms, TNC Right-Angle, PCB, Jack Receptacle, Body Nickel Plated Zinc Alloy

Documents:

[3D Model](#) [3D Model \(PDF\)](#)
[Drawing \(PDF\)](#) [RoHS Certificate of Compliance \(PDF\)](#)

General

Product Family RF/Coax Connectors
 Series [73216](#)
 Overview [TNC RF Connectors](#)
 Product Name TNC
 Style PCB
 Type Miniature
 UPC 800753686465
 Wire/Cable Type N/A

Physical

Gender Jack
 Keying to Mating Part None
 Net Weight 17.515/g
 Orientation Right Angle
 PCB Mounting Through Hole
 PCB Thickness - Recommended 2.40mm
 Packaging Type Tray
 Panel Mount No
 Panel Mount Method N/A
 Reverse Polar No

Electrical

Frequency 11 GHz
 Impedance 50Ω
 Power / Voltage VOLTAGE: 500 Vrms@Sea Level

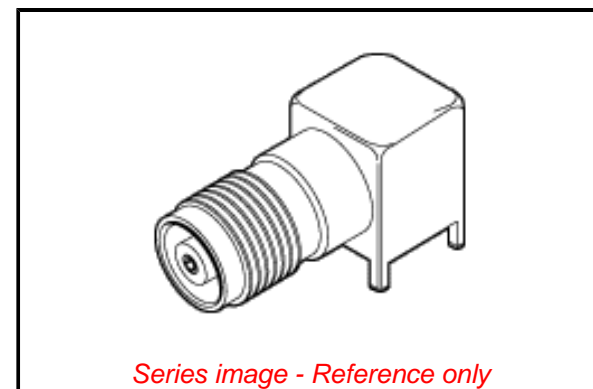
Solder Process Data

Duration at Max. Process Temperature (seconds) 010
 Lead-freeProcess Capability SMC&WAVE
 Max. Cycles at Max. Process Temperature 002
 Process Temperature max. C 260

Material Info

Reference - Drawing Numbers

Sales Drawing SD-73100-0135-001, SD-73216-271-001



Series image - Reference only

EU ELV

Not Relevant

EU RoHS

Compliant with Exemption 6(c)

REACH SVHC

Contained Per - D(2021)10043-DC (17 Jan 2022)

Lead

Halogen-Free

Status

Low-Halogen

For more information, please visit [Contact US](#)

China ROHS

ELV

RoHS Phthalates

China RoHS

50 Image

Not Relevant

Not Contained

Search Parts in this Series

[73216 Series](#)