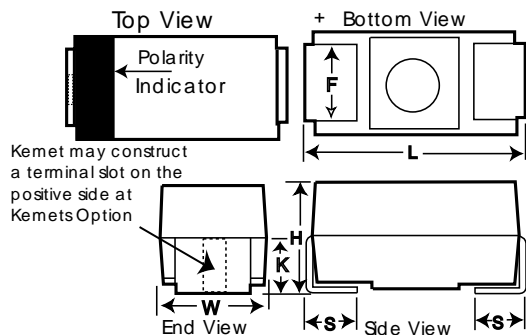


KEMET Part Number: T491C106K010ZT
(B45196E2106K309)

Capacitor, tantalum, 10 uF, 6032, +/-10% Tol, 10V@85C



Dimensions (mm)		
Symbol	Dimension	Tolerance
L	6	+/-0.3
W	3.2	+/-0.3
H	2.5	+/-0.3
K	1.8	typ
F	2.2	+/-0.1
S	1.3	+/-0.3

Notes:

-In polarity stripe, at KEMET's option, type may be indicated: see catalog for explanation of symbols

-Old part number [Obsolete] was B45196E2106K309

General Information	
Manufacturer:	KEMET
Construction:	Standard Chip-MnO2

Specifications	
Capacitance:	10 uF
Voltage DC @ 85C:	10V
Voltage DC @ 105C:	8.2V
Voltage DC @ 125C:	6.3V
Tolerance:	+/-10%
Application:	General Purpose
Temperature Range:	-55/+125C
Body Type:	Molded Chip
Footprint:	6032
Termination:	Tin
RoHS:	Yes
Leakage Current:	1 uA
Dissipation Factor:	6%
Impedance @ 100kHz:	2.4 Ohm

Packaging Specifications	
Package Kind:	T&R
Package Size:	7in
Package Quantity:	750