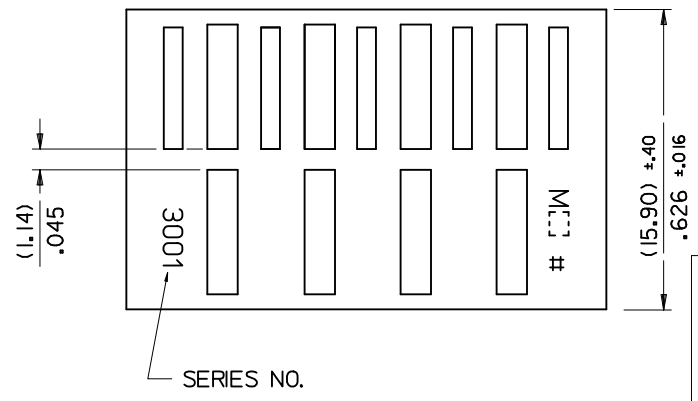
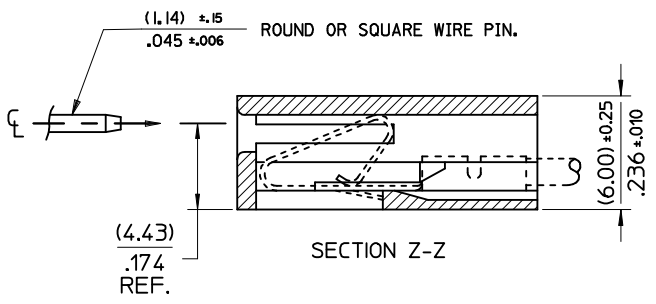
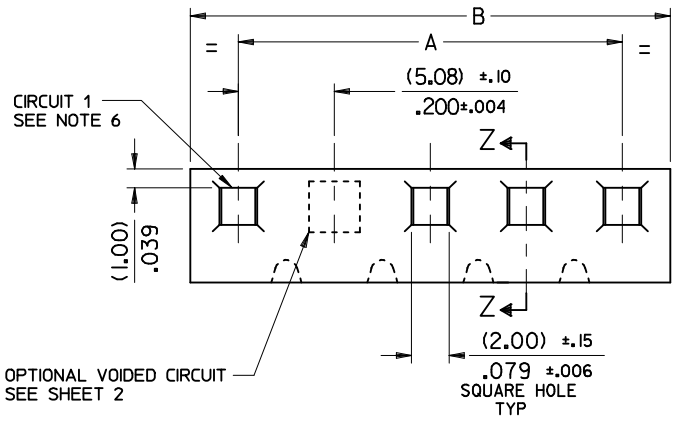


- NOTES:
1. MATERIAL: NYLON, UL94V-2, COLOR: NATURAL
 2. FINISH: N/A
 3. PRODUCT SPECIFICATION: PS-99020-0087
 4. THIS HOUSING USES KK TERMINAL SERIES 2478, 2578, AND 2878.
 5. THIS PART CONFORMS TO CLASS B REQUIREMENTS OF COSMETIC SPECIFICATION PS-45499-002.
 6. CIRCUIT 1 USED TO DEFINE VOID LOCATION.
 7. WINDOW GEOMETRY IS DEPENDENT ON MOLD. PARTS MAY HAVE EITHER GEOMETRY.



PART No.	ENG. No.	ENGLISH		METRIC	
10-01-1124	E-3001-12	2.200 ±.010	2.400 ⁺⁰ _{-.012}	55.88 ±.25	60.96 ±.30
-1114	-11	2.000 ±.008	2.200 ⁺⁰ _{-.012}	50.80 ±.20	55.88 ±.30
-1104	-10	1.800 ±.008	2.000 ⁺⁰ _{-.008}	45.72 ±.20	50.80 ±.30
-1094	-9	1.600 ±.008	1.800 ⁺⁰ _{-.008}	40.64 ±.20	45.72 ±.30
-1084	-8	1.400 ±.008	1.600 ⁺⁰ _{-.008}	35.56 ±.20	40.64 ±.30
-1074	-7	1.200 ±.008	1.400 ⁺⁰ _{-.008}	30.48 ±.20	35.56 ±.30
-1064	-6	1.000 ±.004	1.200 ⁺⁰ _{-.008}	25.40 ±.10	30.48 ±.30
-1054	-5	.800 ±.004	1.000 ⁺⁰ _{-.008}	20.32 ±.10	25.40 ±.30
-1044	-4	.600 ±.004	.800 ⁺⁰ _{-.008}	15.24 ±.10	20.32 ±.30
-1034	-3	.400 ±.004	.600 ⁺⁰ _{-.008}	10.16 ±.10	15.24 ±.30
10-01-1024	E-3001-2	.200 ±.004	.400 ⁺⁰ _{-.008}	5.08 ±.10	10.16 ±.30

ADD 4.43 REF. EC NO: UCP/2014-0496 DRWN:KIPPER 2013/08/01 CHKD:JBELL 2013/08/05 APPR:FSM/TH 2013/08/06	QUALITY SYMBOLS	GENERAL TOLERANCES (UNLESS SPECIFIED)		DIMENSION STYLE		SCALE	DESIGN UNITS	THIRD ANGLE PROJECTION	
	$F_A=0$ $F_G=0$ $F_P=0$	mm	INCH	MM/IN		1:1	METRIC		
		4 PLACES ± --- ± ---	3 PLACES ± --- ± .010	DRAWN BY	DATE	TITLE			
		2 PLACES ± 0.25 ± .014	1 PLACE ± 0.35 ± ---	P. MOORE	1998/09/15	KK (5.08)/.200 CRIMP TERMINAL HOUSING			
	0 PLACE ± ±		CHECKED BY	DATE					
			MGOONEY	1999/03/12					
			APPROVED BY	DATE	DOCUMENT NO. SDE-3001-N-* SHEET NO. 1 OF 2				
			FSMITH	2010/12/06	THIS DRAWING CONTAINS INFORMATION THAT IS PROPRIETARY TO MOLEX INCORPORATED AND SHOULD NOT BE USED WITHOUT WRITTEN PERMISSION				

PART NO. SEE CHART
 DWG. NO. SDE-3001-N*

FOR MANUFACTURE IN SINGAPORE ONLY

FOR DIMENSIONS SEE SHEET No.1

VOID CKT. LOCATION	PART No.	ENG. No.	NO OF CKTS.
11	97-00-0919	E-3001-12-11	12
2	NOT TOOLED	E-3001-7-2	7
3	I 10-01-1080	-8-3	8
5	I -3085	-8-5	8
4	I -3044	-4-4	4
3	I -1030	-3-3	3
2	-1049	-4-2	4
2	-1109	-10-2	10
2	-1099	-9-2	9
5	10-01-1069	E-3001-6-5	6

REDRAWN ON CAD
 EC NO. E90109
 DRWN. P. MOORE 98/09/99
 CHK'd / /
 APPR

REV	DESCRIPTION	QUALITY SYMBOLS	GENERAL TOLERANCES: (UNLESS SPECIFIED)		SCALE :	DESIGN UNITS
		MAJOR = CRITICAL =	mm	INCH	<input type="checkbox"/> mm <input type="checkbox"/> INCH	
			4 PLACES	±0.	±.	DRAWN BY & DATE P. MOORE 98/09/99
			3 PLACES	±0.	±.	CHECKED BY & DATE MGOONEY 12/03/99
			2 PLACES	±0.	±.	APPROVED BY & DATE MWILHITE 12/03/99
			1 PLACE	±0.	±.	CAD FILENAME PM19.DGN

DIMENSIONS: <input checked="" type="checkbox"/> mm <input type="checkbox"/> INCH <input type="checkbox"/> mm ONLY		SHT	REV
THIRD ANGLE PROJECTION	TITLE: HOUSING, CONNECTOR, KK (5.08)/.200 CRIMP STYLE TERM.	REVISE ON CAD ONLY	
MOLEX INCORPORATED			
MATERIAL NO. SEE CHART	DRAWING NO. SDE-3001-N-*	SHEET NO. 2 OF	
THIS DRAWING CONTAINS INFORMATION THAT IS PROPRIETARY TO MOLEX INCORPORATED AND SHOULD NOT BE USED WITHOUT WRITTEN PERMISSION.			
			SIZE B