

## 1.5V Miniature Electronic Buzzer 33.5 x 16.5 x 15.5mm



### DESCRIPTION

A 1.5V DC miniature transistor oscillator buzzer terminated by flying leads.

### DISTINCTIVE FEATURES

- Dimensions 33.5 x 16.5 x 15.5mm
- Rated voltage 1.5V DC
- Sound output 75dB
- Housing material ABS

### APPLICATIONS

This buzzer is ideal for warning panels, electronic toys and safety equipment. Also Suitable for inclusion in miniature electronics instrumentation projects.

1.5  
VDC

25mA

75dB



## ELECTRICAL SPECIFICATION

Rated Voltage	1.5V DC
Operating Voltage	1.3 to 2.0V DC
Rated current	25mA @ 1.5V DC



## GENERAL SPECIFICATION

Type	Electronic buzzer
Resonant Frequency	400Hz $\pm$ 100Hz
Sound Pressure Level min.	75dB @ 1.5V DC/10cm



## MATERIALS

Material	ABS
Colour	Black



## ENVIRONMENTAL/OPERATING SPECIFICATION

Operating Temperature	-20°C to +60°C
Storage Temperature	-30°C to +70°C



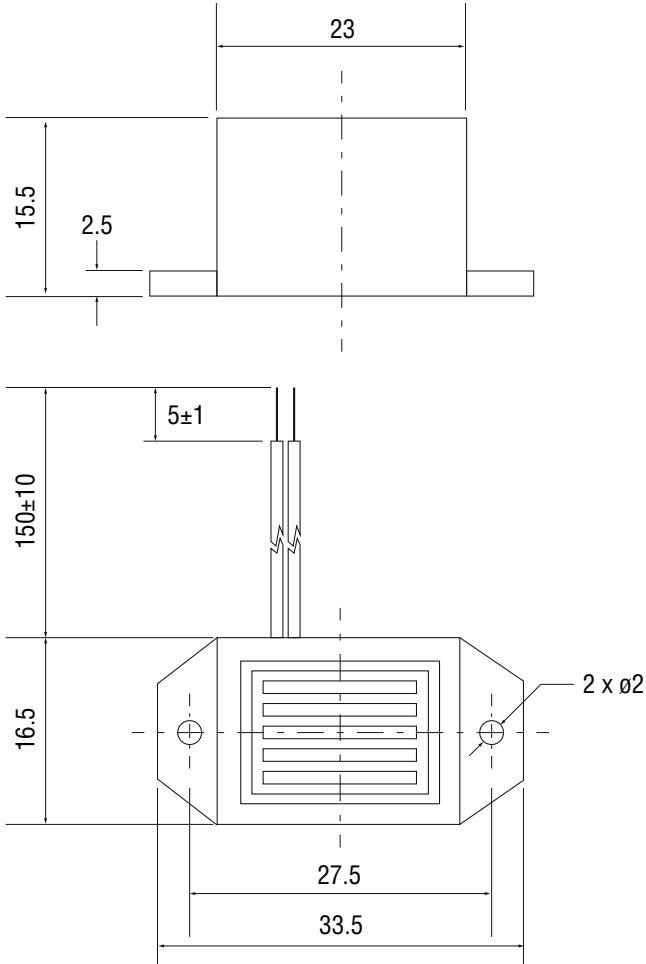
## TERMINALS

Termination	Flying leads
Lead Length	150mm



## DIMENSIONS/DRAWINGS

Units	mm - unless stated otherwise
Dimensions	33.5 x 16.5 x 15.5mm
Weight	10g



## PART NUMBER TABLE

Part Number	EAN	UNSPSC	Country of Origin
35-0907	5053556002160	41112101	China

# R-TECH

Tried & trusted technology

**Important Notice:** This data sheet and its contents (the "Information") belong to Rapid Electronics Limited or are licensed to it. No licence is granted for the use of it other than for information purposes in connection with the products to which it relates. No licence of any intellectual property rights is granted. The Information is subject to change without notice and replaces all data sheets previously supplied. The Information supplied is believed to be accurate but Rapid Electronics Limited assumes no responsibility for its accuracy or completeness, any error in or omission from it or for any use made of it. Users of this data sheet should check for themselves the Information and the suitability of the products for their purpose and not make any assumptions based on information included or omitted. Liability for loss or damage resulting from any reliance on the Information or use of it (including liability resulting from negligence or where Rapid Electronics Limited were aware of the possibility of such loss or damage arising) is excluded. This will not operate to limit or restrict Rapid Electronics Limited's liability for death or personal injury resulting from its negligence.