

## Zener diodes

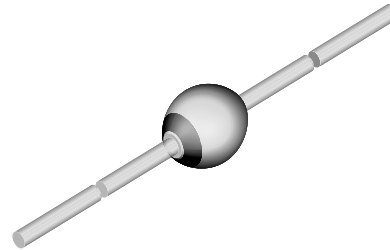
| Order code | Manufacturer code | Description                      |
|------------|-------------------|----------------------------------|
| 47-2252    | BZT03C120         | BZT03C120 3.25W ZENER DIODE (RC) |
| 47-2246    | n/a               | n/a                              |
| 47-2248    | BZT03C91          | BZT03C91 3.25W ZENER DIODE       |
| 47-2250    | n/a               | n/a                              |
| 47-2240    | BZT03C62          | BZT03C62 3.25W ZENER DIODE (RC)  |
| 47-2242    | n/a               | n/a                              |
| 47-2244    | n/a               | n/a                              |
| 47-2234    | BZT03C47          | BZT03C47 3.25W ZENER DIODE (RC)  |
| 47-2236    | BZT03C51          | BZT03C51 3.25W ZENER DIODE (RC)  |
| 47-2238    | BZT03C56          | BZT03C56 3.25W ZENER DIODE       |
| 47-2228    | BZT03C36          | BZT03C36 3.25W ZENER DIODE (RC)  |
| 47-2230    | BZT03C39          | BZT03C39 3.25W ZENER DIODE (RC)  |
| 47-2232    | BZT03C43          | BZT03C43 3.25W ZENER DIODE       |
| 47-2204    | n/a               | n/a                              |
| 47-2224    | BZT03C30          | BZT03C30 3.25W ZENER DIODE (RC)  |
| 47-2226    | n/a               | n/a                              |
| 47-2266    | BZT03C270         | BZT03C270 3.25W ZENER DIODE (RC) |
| 47-2200    | BZT03C7V5         | BZT03C7V5 3.25W ZENER DIODE (RC) |
| 47-2202    | n/a               | n/a                              |
| 47-2260    | BZT03C180         | BZT03C180 3.25W ZENER DIODE (RC) |
| 47-2262    | BZT03C200         | BZT03C200 3.25W ZENER DIODE (RC) |
| 47-2264    | n/a               | BZT03C220 3.25W ZENER DIODE_     |
| 47-2254    | n/a               | n/a                              |
| 47-2256    | n/a               | n/a                              |
| 47-2258    | n/a               | BZT03C160 3.25W ZENER DIODE (RC) |
| 47-2218    | BZT03C22          | BZT03C22 3.25W ZENER DIODE       |
| 47-2220    | BZT03C24          | BZT03C24 3.25W ZENER DIODE       |
| 47-2222    | BZT03C27          | BZT03C27 3.25W ZENER DIODE (RC)  |
| 47-2212    | n/a               | n/a                              |
| 47-2214    | BZT03C18          | BZT03C18 3.25W ZENER DIODE (RC)  |
| 47-2216    | BZT03C20          | BZT03C20 3.25W ZENER DIODE (RC)  |
| 47-2206    | BZT03C10          | BZT03C10 3.25W ZENER DIODE (RC)  |
| 47-2208    | BZT03C12          | BZT03C12 3.25W ZENER DIODE (RC)  |
| 47-2210    | BZT03C15          | BZT03C15 3.25W ZENER DIODE (RC)  |

|  |                          |
|--|--------------------------|
| Zener diodes   | Page 1 of 7              |
| The enclosed information is believed to be correct, Information may change 'without notice' due to product improvement. Users should ensure that the product is suitable for their use. E. & O. E. | Revision A<br>04/07/2003 |

## Zener Diodes with Surge Current Specification

### Features

- Glass passivated junction
- Hermetically sealed package
- Clamping time in picoseconds
- Lead (Pb)-free component
- Component in accordance to RoHS 2002/95/EC and WEEE 2002/96/EC



949539

### Applications

Medium power voltage regulators and medium power transient suppression circuits

### Mechanical Data

**Case:** SOD-57 Sintered glass case

**Weight:** approx. 369 mg

**Packaging Codes/Options:**

TAP / 5 k Ammopack (52 mm tape) / 25 k/box

TR / 5 k 10" reel

### Absolute Maximum Ratings

$T_{amb} = 25\text{ }^{\circ}\text{C}$ , unless otherwise specified

| Parameter                                   | Test condition   | Symbol    | Value         | Unit               |
|---|--|-----------|---------------|--------------------|
| Power dissipation                           | $l = 10\text{ mm}, T_L = 25\text{ }^{\circ}\text{C}$             | $P_V$     | 3.25          | W                  |
|   | $T_{amb} = 25\text{ }^{\circ}\text{C}$                           | $P_V$     | 1.3           | W                  |
| Repetitive peak reverse power dissipation   |  | $P_{ZRM}$ | 10            | W                  |
| Non repetitive peak surge power dissipation | $t_p = 100\text{ }\mu\text{s}, T_j = 25\text{ }^{\circ}\text{C}$ | $P_{ZSM}$ | 600           | W                  |
| Junction temperature                        |  | $T_j$     | 175           | $^{\circ}\text{C}$ |
| Storage temperature range                   |  | $T_{stg}$ | - 65 to + 175 | $^{\circ}\text{C}$ |

### Thermal Characteristics

$T_{amb} = 25\text{ }^{\circ}\text{C}$ , unless otherwise specified

| Parameter        | Test condition                            | Symbol     | Value | Unit |
|------------------|---|------------|-------|------|
| Junction ambient | $l = 10\text{ mm}, T_L = \text{constant}$ | $R_{thJA}$ | 46    | K/W  |
|                  | on PC board with spacing 25 mm            | $R_{thJA}$ | 100   | K/W  |

### Electrical Characteristics

$T_{amb} = 25\text{ }^{\circ}\text{C}$ , unless otherwise specified

| Parameter       | Test condition       | Symbol | Min | Typ. | Max | Unit |
|-----------------|----------------------|--------|-----|------|-----|------|
| Forward voltage | $I_F = 0.5\text{ A}$ | $V_F$  |     |      | 1.2 | V    |

# BZT03-Series



Vishay Semiconductors

## Electrical Characteristics

BZT03C...

| Partnumber | Zener Voltage Range |     |      | Dynamic Resistance           |      | Test Current | Temperature Coefficient of Zener Voltage |      | Reverse Leakage Current |     | Clamping                   |      | Stand-off        |     |
|------------|---------------------|-----|------|------------------------------|------|--------------|--|------|-------------------------|-----|----------------------------|------|------------------|-----|
|            | $V_Z @ I_{ZT}$      |     |      | $r_{zj}$ and $TK_{VZ} @ I_Z$ |      | $I_{ZT}$     | $TC_{VZ} @ I_{ZT}$                       |      | $I_R @ V_R$             |     | $V_{(CL)R}^{1)} @ I_{RMS}$ |      | $I_R @ V_R^{2)}$ |     |
|            | V                   |     |      | $\Omega$                     |      | mA           | %K                                       |      | $\mu A$                 | V   | V                          | A    | $\mu A$          | V   |
|            | min                 | typ | max  | typ                          | max  |              | min                                      | max  | max                     |     | max                        |      | max              |     |
| BZT03C6V2  | 5.8                 | 6.2 | 6.6  | 1                            | 2    | 100          | 0  | 0.07 | 1500                    | 4.7 | 9.3                        | 34.0 | 3000             | 5.1 |
| BZT03C6V8  | 6.4                 | 6.8 | 7.2  | 1                            | 2    | 100          | 0  | 0.07 | 1000                    | 5.1 | 10.2                       | 31.0 | 2000             | 5.6 |
| BZT03C7V5  | 7                   | 7.5 | 7.9  | 1                            | 2    | 100          | 0  | 0.07 | 750                     | 5.6 | 11.3                       | 26.5 | 1500             | 6.2 |
| BZT03C8V2  | 7.7                 | 8.2 | 8.7  | 1                            | 2    | 100          | 0.03                                     | 0.08 | 600                     | 6.2 | 12.3                       | 24.4 | 1200             | 6.8 |
| BZT03C9V1  | 8.5                 | 9.1 | 9.6  | 2                            | 4    | 50           | 0.03                                     | 0.08 | 20                      | 6.8 | 13.3                       | 22.7 | 50               | 7.5 |
| BZT03C10   | 9.4                 | 10  | 10.6 | 2                            | 4    | 50           | 0.05                                     | 0.09 | 10                      | 7.5 | 14.8                       | 20.3 | 20               | 8.2 |
| BZT03C11   | 10.4                | 11  | 11.6 | 4                            | 7    | 50           | 0.05                                     | 0.1  | 4                       | 8.2 | 15.7                       | 19.1 | 5                | 9.1 |
| BZT03C12   | 11.4                | 12  | 12.7 | 4                            | 7    | 50           | 0.05                                     | 0.1  | 3                       | 9.1 | 17.0                       | 17.7 | 5                | 10  |
| BZT03C13   | 12.4                | 13  | 14.1 | 5                            | 10   | 50           | 0.05                                     | 0.1  | 2                       | 10  | 18.9                       | 15.9 | 5                | 11  |
| BZT03C15   | 13.8                | 15  | 15.6 | 5                            | 10   | 50           | 0.05                                     | 0.1  | 1                       | 11  | 20.9                       | 14.4 | 5                | 12  |
| BZT03C16   | 15.3                | 16  | 17.1 | 6                            | 15   | 25           | 0.06                                     | 0.11 | 1                       | 12  | 22.9                       | 13.1 | 5                | 13  |
| BZT03C18   | 16.8                | 18  | 19.1 | 6                            | 15   | 25           | 0.06                                     | 0.11 | 1                       | 13  | 25.6                       | 11.7 | 5                | 15  |
| BZT03C20   | 18.8                | 20  | 21.2 | 6                            | 15   | 25           | 0.06                                     | 0.11 | 1                       | 15  | 28.4                       | 10.6 | 5                | 16  |
| BZT03C22   | 20.8                | 22  | 23.3 | 6                            | 15   | 25           | 0.06                                     | 0.11 | 1                       | 16  | 31.0                       | 9.7  | 5                | 18  |
| BZT03C24   | 22.8                | 24  | 25.6 | 7                            | 15   | 25           | 0.06                                     | 0.11 | 1                       | 18  | 33.8                       | 8.9  | 5                | 20  |
| BZT03C27   | 25.1                | 27  | 28.9 | 7                            | 15   | 25           | 0.06                                     | 0.11 | 1                       | 20  | 38.1                       | 7.9  | 5                | 22  |
| BZT03C30   | 28                  | 30  | 32   | 8                            | 15   | 25           | 0.06                                     | 0.11 | 1                       | 22  | 42.2                       | 7.1  | 5                | 24  |
| BZT03C33   | 31                  | 33  | 35   | 8                            | 15   | 25           | 0.06                                     | 0.11 | 1                       | 24  | 46.2                       | 6.5  | 5                | 27  |
| BZT03C36   | 34                  | 36  | 38   | 21                           | 40   | 10           | 0.06                                     | 0.11 | 1                       | 27  | 50.1                       | 6.0  | 5                | 30  |
| BZT03C39   | 37                  | 39  | 41   | 21                           | 40   | 10           | 0.06                                     | 0.11 | 1                       | 30  | 54.1                       | 5.5  | 5                | 33  |
| BZT03C43   | 40                  | 43  | 46   | 24                           | 45   | 10           | 0.07                                     | 0.12 | 1                       | 33  | 60.7                       | 4.9  | 5                | 36  |
| BZT03C47   | 44                  | 47  | 50   | 24                           | 45   | 10           | 0.07                                     | 0.12 | 1                       | 36  | 65.5                       | 4.6  | 5                | 39  |
| BZT03C51   | 48                  | 51  | 54   | 25                           | 60   | 10           | 0.07                                     | 0.12 | 1                       | 39  | 70.8                       | 4.2  | 5                | 43  |
| BZT03C56   | 52                  | 56  | 60   | 25                           | 60   | 10           | 0.07                                     | 0.12 | 1                       | 43  | 78.6                       | 3.8  | 5                | 47  |
| BZT03C62   | 58                  | 62  | 66   | 25                           | 80   | 10           | 0.08                                     | 0.13 | 1                       | 47  | 86.5                       | 3.5  | 5                | 51  |
| BZT03C68   | 64                  | 68  | 72   | 25                           | 80   | 10           | 0.08                                     | 0.13 | 1                       | 51  | 94.4                       | 3.2  | 5                | 56  |
| BZT03C75   | 70                  | 75  | 79   | 30                           | 100  | 10           | 0.08                                     | 0.13 | 1                       | 56  | 103.5                      | 2.9  | 5                | 62  |
| BZT03C82   | 77                  | 82  | 87   | 30                           | 100  | 10           | 0.08                                     | 0.13 | 1                       | 62  | 114                        | 2.6  | 5                | 68  |
| BZT03C91   | 85                  | 91  | 96   | 60                           | 200  | 5            | 0.09                                     | 0.13 | 1                       | 68  | 126                        | 2.4  | 5                | 75  |
| BZT03C100  | 94                  | 100 | 106  | 60                           | 200  | 5            | 0.09                                     | 0.13 | 1                       | 75  | 139                        | 2.2  | 5                | 82  |
| BZT03C110  | 104                 | 110 | 116  | 80                           | 250  | 5            | 0.09                                     | 0.13 | 1                       | 82  | 152                        | 2.0  | 5                | 91  |
| BZT03C120  | 114                 | 120 | 127  | 80                           | 250  | 5            | 0.09                                     | 0.13 | 1                       | 91  | 167                        | 1.8  | 5                | 100 |
| BZT03C130  | 124                 | 130 | 141  | 110                          | 300  | 5            | 0.09                                     | 0.13 | 1                       | 100 | 185                        | 1.6  | 5                | 110 |
| BZT03C150  | 138                 | 150 | 156  | 130                          | 300  | 5            | 0.09                                     | 0.13 | 1                       | 110 | 204                        | 1.5  | 5                | 120 |
| BZT03C160  | 153                 | 160 | 171  | 150                          | 350  | 5            | 0.09                                     | 0.13 | 1                       | 120 | 224                        | 1.3  | 5                | 130 |
| BZT03C180  | 168                 | 180 | 191  | 180                          | 400  | 5            | 0.09                                     | 0.13 | 1                       | 130 | 249                        | 1.2  | 5                | 150 |
| BZT03C200  | 188                 | 200 | 212  | 200                          | 500  | 5            | 0.09                                     | 0.13 | 1                       | 150 | 276                        | 1.1  | 5                | 160 |
| BZT03C220  | 208                 | 220 | 233  | 350                          | 750  | 2            | 0.09                                     | 0.13 | 1                       | 160 | 305                        | 1.0  | 5                | 180 |
| BZT03C240  | 228                 | 240 | 256  | 400                          | 850  | 2            | 0.09                                     | 0.13 | 1                       | 180 | 336                        | 0.9  | 5                | 200 |
| BZT03C270  | 251                 | 270 | 289  | 450                          | 1000 | 2            | 0.09                                     | 0.13 | 1                       | 200 | 380                        | 0.8  | 5                | 220 |
| BZT03C300  | 280                 | 300 | 320  | 450                          | 1000 | 2            | 0.09                                     | 0.13 | 1                       | 220 | 419                        | 0.72 | 5                | 240 |

1) 10/1000 exp. falling pulse  $t_p = 1000 \mu s$  down to 50 %

2) Stand-off voltage = recommended supply voltage



## Electrical Characteristics

BZT03D...

| Partnumber | Zener Voltage Range |     |      | Dynamic Resistance           |      | Test Current | Temperature Coefficient of Zener Voltage |      | Reverse Leakage Current |      | Clamping                    |      | Stand-off         |      |
|------------|---------------------|-----|------|------------------------------|------|--------------|--|------|-------------------------|------|-----------------------------|------|-------------------|------|
|            | $V_Z @ I_{ZT}$      |     |      | $r_{zj}$ and $TK_{VZ} @ I_Z$ |      | $I_{ZT}$     | $TC_{VZ} @ I_{ZT}$                       |      | $I_R @ V_R$             |      | $V_{(CL)R}^{(1)} @ I_{RMS}$ |      | $I_R @ V_R^{(2)}$ |      |
|            | V                   |     |      | $\Omega$                     |      | mA           | %/K                                      |      | $\mu A$                 | V    | V                           | A    | $\mu A$           | V    |
|            | min                 | typ | max  | typ                          | max  |              | min                                      | max  | max                     |      | max                         |      | max               |      |
| BZT03D6V2  | 5.6                 | 6.2 | 6.8  | 1                            | 2    | 100          | 0  | 0.07 | 1500                    | 4.4  | 9.5                         | 34.0 | 3000              | 4.8  |
| BZT03D6V8  | 6.1                 | 6.8 | 7.5  | 1                            | 2    | 100          | 0  | 0.07 | 1000                    | 4.8  | 10.5                        | 31.0 | 2000              | 5.3  |
| BZT03D7V5  | 6.75                | 7.5 | 8.25 | 1                            | 2    | 100          | 0  | 0.07 | 750                     | 5.3  | 11.6                        | 26.5 | 1500              | 5.9  |
| BZT03D8V2  | 7.4                 | 8.2 | 9    | 1                            | 2    | 100          | 0.03                                     | 0.08 | 600                     | 5.9  | 12.6                        | 24.4 | 1200              | 6.5  |
| BZT03D9V1  | 8.2                 | 9.1 | 10   | 2                            | 4    | 50           | 0.03                                     | 0.08 | 20                      | 6.5  | 13.7                        | 22.7 | 50                | 7.1  |
| BZT03D10   | 9                   | 10  | 11   | 2                            | 4    | 50           | 0.05                                     | 0.09 | 10                      | 7.1  | 15.2                        | 20.3 | 20                | 7.9  |
| BZT03D11   | 9.9                 | 11  | 12.1 | 4                            | 7    | 50           | 0.05                                     | 0.1  | 4                       | 7.9  | 16.2                        | 19.1 | 5                 | 8.6  |
| BZT03D12   | 10.8                | 12  | 13.2 | 4                            | 7    | 50           | 0.05                                     | 0.1  | 3                       | 8.6  | 17.5                        | 17.7 | 5                 | 9.3  |
| BZT03D13   | 11.7                | 13  | 14.3 | 5                            | 10   | 50           | 0.05                                     | 0.1  | 2                       | 9.3  | 19.1                        | 15.9 | 5                 | 10.6 |
| BZT03D15   | 13.5                | 15  | 16.5 | 5                            | 10   | 50           | 0.05                                     | 0.1  | 1                       | 10.6 | 21.8                        | 14.4 | 5                 | 11.6 |
| BZT03D16   | 14.4                | 16  | 17.6 | 6                            | 15   | 25           | 0.06                                     | 0.11 | 1                       | 11.6 | 23.4                        | 13.1 | 5                 | 12.6 |
| BZT03D18   | 16.2                | 18  | 19.8 | 6                            | 15   | 25           | 0.06                                     | 0.11 | 1                       | 12.6 | 26.3                        | 11.7 | 5                 | 14.4 |
| BZT03D20   | 18                  | 20  | 22   | 6                            | 15   | 25           | 0.06                                     | 0.11 | 1                       | 14.4 | 29.2                        | 10.6 | 5                 | 15.8 |
| BZT03D22   | 29.8                | 22  | 24.2 | 6                            | 15   | 25           | 0.06                                     | 0.11 | 1                       | 15.8 | 31.9                        | 9.7  | 5                 | 17.2 |
| BZT03D24   | 21.6                | 24  | 26.4 | 7                            | 15   | 25           | 0.06                                     | 0.11 | 1                       | 17.2 | 34.6                        | 8.9  | 5                 | 19.4 |
| BZT03D27   | 24.3                | 27  | 29.7 | 7                            | 15   | 25           | 0.06                                     | 0.11 | 1                       | 19.4 | 39                          | 7.9  | 5                 | 21.5 |
| BZT03D30   | 27                  | 30  | 33   | 8                            | 15   | 25           | 0.06                                     | 0.11 | 1                       | 21.5 | 43.5                        | 7.1  | 5                 | 23.5 |
| BZT03D33   | 29.7                | 33  | 36.3 | 8                            | 15   | 25           | 0.06                                     | 0.11 | 1                       | 23.5 | 47.5                        | 6.5  | 5                 | 25.8 |
| BZT03D36   | 32.4                | 36  | 39.6 | 21                           | 40   | 10           | 0.06                                     | 0.11 | 1                       | 25.8 | 51.5                        | 6.0  | 5                 | 28   |
| BZT03D39   | 35.1                | 39  | 42.9 | 21                           | 40   | 10           | 0.06                                     | 0.11 | 1                       | 28   | 56                          | 5.5  | 5                 | 31   |
| BZT03D43   | 38.7                | 43  | 47.3 | 24                           | 45   | 10           | 0.07                                     | 0.12 | 1                       | 31   | 62                          | 4.9  | 5                 | 33.5 |
| BZT03D47   | 42.3                | 47  | 51.7 | 24                           | 45   | 10           | 0.07                                     | 0.12 | 1                       | 33.5 | 67.5                        | 4.6  | 5                 | 36.5 |
| BZT03D51   | 45.9                | 51  | 56.1 | 25                           | 60   | 10           | 0.07                                     | 0.12 | 1                       | 36.5 | 73                          | 4.2  | 5                 | 40   |
| BZT03D56   | 50.4                | 56  | 61.6 | 25                           | 60   | 10           | 0.07                                     | 0.12 | 1                       | 40   | 81                          | 3.8  | 5                 | 44.5 |
| BZT03D62   | 55.8                | 62  | 68.2 | 25                           | 80   | 10           | 0.08                                     | 0.13 | 1                       | 44.5 | 89                          | 3.5  | 5                 | 49   |
| BZT03D68   | 61.2                | 68  | 74.8 | 25                           | 80   | 10           | 0.08                                     | 0.13 | 1                       | 49   | 97                          | 3.2  | 5                 | 54   |
| BZT03D75   | 67.5                | 75  | 82.5 | 30                           | 100  | 10           | 0.08                                     | 0.13 | 1                       | 54   | 107                         | 2.9  | 5                 | 59   |
| BZT03D82   | 73.8                | 82  | 90.2 | 30                           | 100  | 10           | 0.08                                     | 0.13 | 1                       | 59   | 117                         | 2.6  | 5                 | 65   |
| BZT03D91   | 81.9                | 91  | 100  | 60                           | 200  | 5            | 0.09                                     | 0.13 | 1                       | 65   | 130                         | 2.4  | 5                 | 71   |
| BZT03D100  | 90                  | 100 | 110  | 60                           | 200  | 5            | 0.09                                     | 0.13 | 1                       | 71   | 143                         | 2.2  | 5                 | 79   |
| BZT03D110  | 99                  | 110 | 121  | 80                           | 250  | 5            | 0.09                                     | 0.13 | 1                       | 79   | 157                         | 2.0  | 5                 | 86   |
| BZT03D120  | 108                 | 120 | 132  | 80                           | 250  | 5            | 0.09                                     | 0.13 | 1                       | 86   | 172                         | 1.8  | 5                 | 93   |
| BZT03D130  | 117                 | 130 | 143  | 110                          | 300  | 5            | 0.09                                     | 0.13 | 1                       | 93   | 187                         | 1.6  | 5                 | 106  |
| BZT03D150  | 135                 | 150 | 165  | 130                          | 300  | 5            | 0.09                                     | 0.13 | 1                       | 106  | 213                         | 1.5  | 5                 | 116  |
| BZT03D160  | 144                 | 160 | 176  | 150                          | 350  | 5            | 0.09                                     | 0.13 | 1                       | 116  | 229                         | 1.3  | 5                 | 126  |
| BZT03D180  | 162                 | 180 | 198  | 180                          | 400  | 5            | 0.09                                     | 0.13 | 1                       | 126  | 256                         | 1.2  | 5                 | 144  |
| BZT03D200  | 180                 | 200 | 220  | 200                          | 500  | 5            | 0.09                                     | 0.13 | 1                       | 144  | 284                         | 1.1  | 5                 | 158  |
| BZT03D220  | 198                 | 220 | 242  | 350                          | 750  | 2            | 0.09                                     | 0.13 | 1                       | 158  | 314                         | 1.0  | 5                 | 172  |
| BZT03D240  | 216                 | 240 | 264  | 400                          | 850  | 2            | 0.09                                     | 0.13 | 1                       | 172  | 364                         | 0.9  | 5                 | 194  |
| BZT03D270  | 243                 | 270 | 297  | 450                          | 1000 | 2            | 0.09                                     | 0.13 | 1                       | 194  | 388                         | 0.8  | 5                 | 215  |

<sup>1)</sup> 10/1000 exp. falling pulse tp = 1000  $\mu s$  down to 50 %

<sup>2)</sup> Stand-off voltage = recommended supply voltage

## Typical Characteristics (Tamb = 25 °C unless otherwise specified)

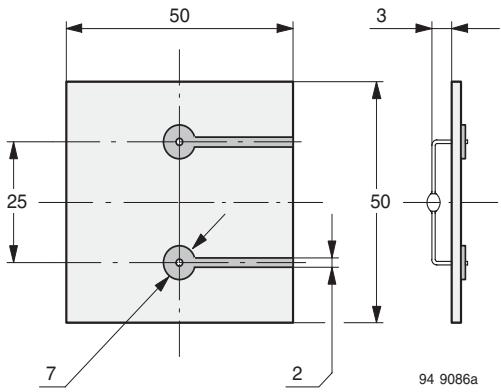


Figure 1. Epoxy Glass Hard Tissue, Board Thickness 1.5 mm,  $R_{thJA} \leq 100$  K/W

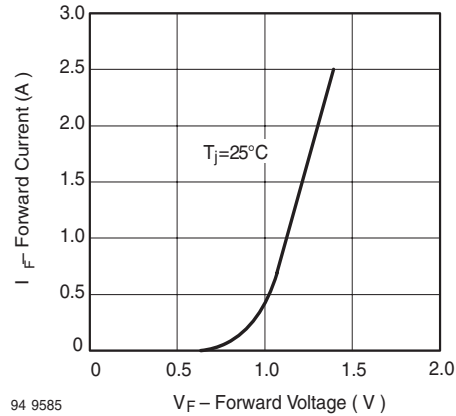


Figure 3. Forward Current vs. Forward Voltage

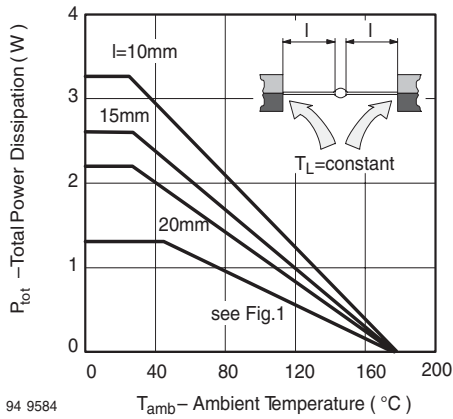


Figure 2. Total Power Dissipation vs. Ambient Temperature

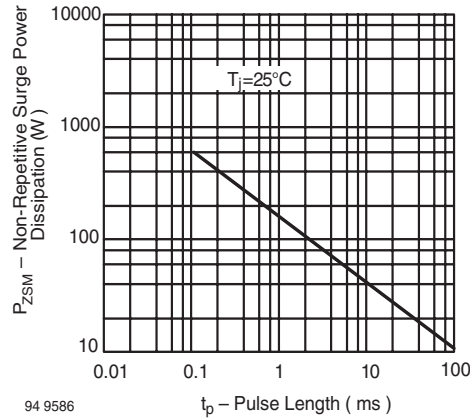
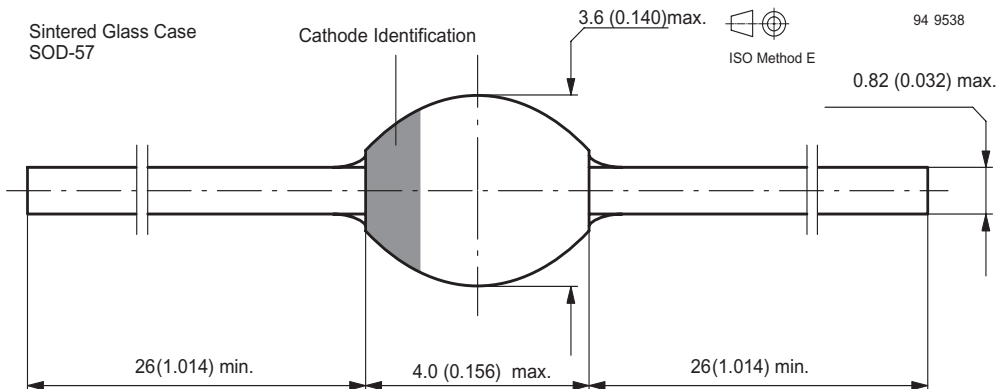


Figure 4. Non Repetitive Surge Power Dissipation vs. Pulse Length

## Package Dimensions in mm (Inches)





## Ozone Depleting Substances Policy Statement

It is the policy of Vishay Semiconductor GmbH to

1. Meet all present and future national and international statutory requirements.
2. Regularly and continuously improve the performance of our products, processes, distribution and operating systems with respect to their impact on the health and safety of our employees and the public, as well as their impact on the environment.

It is particular concern to control or eliminate releases of those substances into the atmosphere which are known as ozone depleting substances (ODSs).

The Montreal Protocol (1987) and its London Amendments (1990) intend to severely restrict the use of ODSs and forbid their use within the next ten years. Various national and international initiatives are pressing for an earlier ban on these substances.

Vishay Semiconductor GmbH has been able to use its policy of continuous improvements to eliminate the use of ODSs listed in the following documents.

1. Annex A, B and list of transitional substances of the Montreal Protocol and the London Amendments respectively
2. Class I and II ozone depleting substances in the Clean Air Act Amendments of 1990 by the Environmental Protection Agency (EPA) in the USA
3. Council Decision 88/540/EEC and 91/690/EEC Annex A, B and C (transitional substances) respectively.

Vishay Semiconductor GmbH can certify that our semiconductors are not manufactured with ozone depleting substances and do not contain such substances.

We reserve the right to make changes to improve technical design and may do so without further notice.

Parameters can vary in different applications. All operating parameters must be validated for each customer application by the customer. Should the buyer use Vishay Semiconductors products for any unintended or unauthorized application, the buyer shall indemnify Vishay Semiconductors against all claims, costs, damages, and expenses, arising out of, directly or indirectly, any claim of personal damage, injury or death associated with such unintended or unauthorized use.

Vishay Semiconductor GmbH, P.O.B. 3535, D-74025 Heilbronn, Germany



### Notice

Specifications of the products displayed herein are subject to change without notice. Vishay Intertechnology, Inc., or anyone on its behalf, assumes no responsibility or liability for any errors or inaccuracies.

Information contained herein is intended to provide a product description only. No license, express or implied, by estoppel or otherwise, to any intellectual property rights is granted by this document. Except as provided in Vishay's terms and conditions of sale for such products, Vishay assumes no liability whatsoever, and disclaims any express or implied warranty, relating to sale and/or use of Vishay products including liability or warranties relating to fitness for a particular purpose, merchantability, or infringement of any patent, copyright, or other intellectual property right.

The products shown herein are not designed for use in medical, life-saving, or life-sustaining applications. Customers using or selling these products for use in such applications do so at their own risk and agree to fully indemnify Vishay for any damages resulting from such improper use or sale.