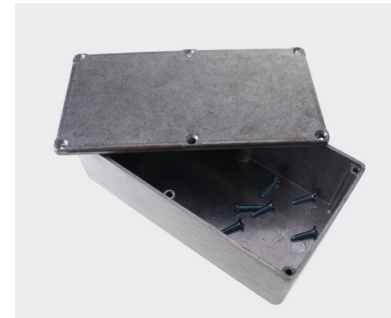
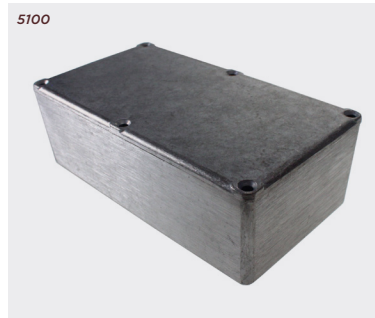


5100 series project diecast

Product overview

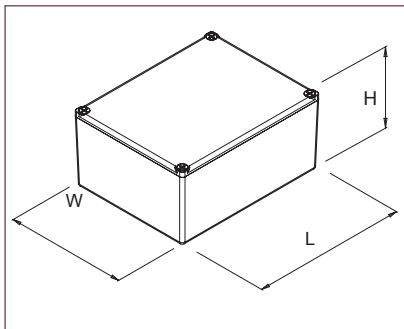
Economy aluminium diecast boxes. Ideal for RF circuit designs and mounting pneumatic or hydraulic equipment.

- Diecast aluminium
- Temperature resistance to 300°C
- Material functions as a screening layer and heatsink
- Robust and light weight
- Easily machined and customised
- Smooth surface and edges
- Close fitted flanged lids using self tapping screws
- 5100 series has been designed to meet the requirements of IP54



SPECIFICATION	
Materials	Diecast aluminium BS 1490 LM24
Protection class	5100 series has been designed to meet the requirements of IP54
Standard colours	Natural finish as standard Hammerstone and powder coating optional
Standard unit includes	Base, lid and 4x self-tapping screws

NATURAL RAL	LENGTH	WIDTH	HEIGHT
5100-470	51mm	51mm	32mm
5100-123	92mm	38mm	31mm
5100-471	110mm	82mm	44mm
5100-124	111mm	60mm	31mm
5100-479	111mm	60mm	54mm
5100-473	119mm	94mm	34mm
5100-234	119mm	94mm	56mm
5100-472	121mm	80mm	60mm
5100-474	121mm	121mm	60mm
5100-475	121mm	121mm	96mm
5100-476	152mm	82mm	51mm
5100-477	187mm	119mm	38mm
5100-247	187mm	119mm	56mm
5100-347	187mm	119mm	82mm
5100-478	190mm	190mm	67mm



KEY FEATURES

Diecast aluminium | Robust | Temperature resistance to 300°C

