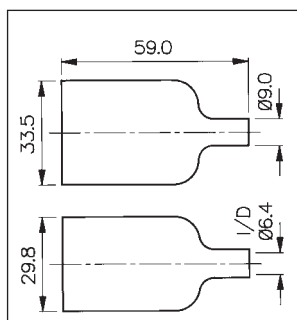
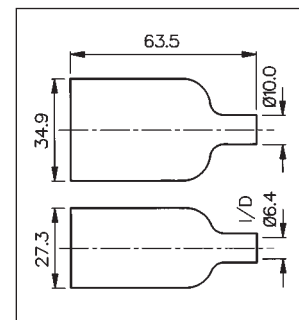
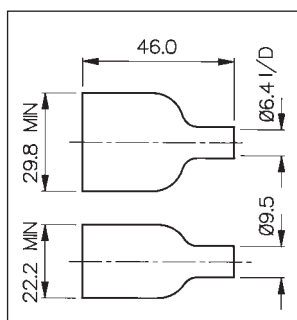
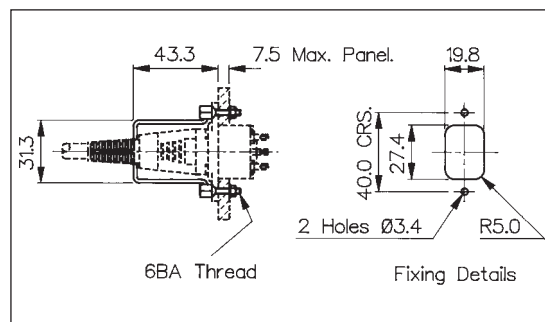


Accessories



- Retaining Clip
- Prevents Accidental Removal
- Two Types Available



- PVC Boots
- Protects Rear of Connector
- Protects Against Accidental Electric Shock

Specification	KT0006, KT0009	PNo. 11328	PNo. 11987	PNo. 12075
	Retaining Clips to prevent accidental removal of connector. KT0006 for PX0580, PX0590, PX0675, PX0793, PXS580, PXT580 KT0009 for PF0001, PF0001/PC, PF0002, PF0030	Insulation boot for PX0575, PX0579, PX0580, PX0590, PX0595, PXS575, PXS579, PXS580, PXT575, PXT579, PXT580 (except PC Versions)	Insulation boot for PF range (except /PC versions and PF0030, PF0033)	Insulation boot for PX0675, PX0695, PX0783, PX0793 (except /PC versions)
Operating Temp. Range:		-20°C to +60°C	-20°C to +60°C	-20°C to +60°C
Max. Working Voltage:		250V a.c.	250V a.c.	250V a.c.
Flash Tested:		2kV a.c.	2kV a.c.	2kV a.c.
Material:	Clip: Stainless Steel, all other parts Brass, Nickel Plated	P.V.C., Flammability Rating UL94V-0	P.V.C., Flammability Rating UL94V-0	P.V.C., Flammability Rating UL94V-0