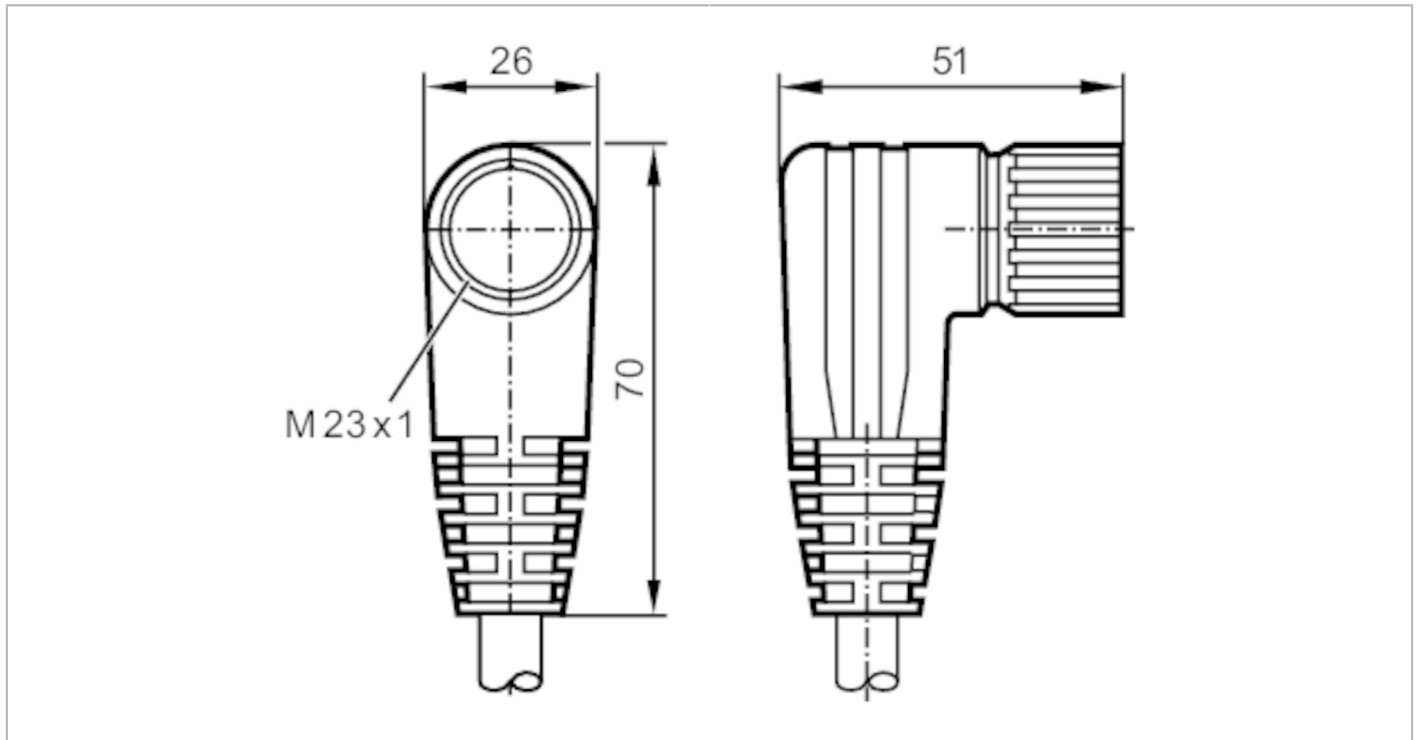


E11740



Connecting cable with socket

ADOAK120MSS0010H12



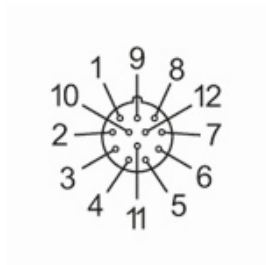
Application	
Special feature	Halogen-free
Electrical data	
Operating voltage [V]	< 63 AC/DC
Operating conditions	
Ambient temperature [°C]	-25...80
Protection	IP 67
Mechanical data	
Weight [g]	1390
Dimensions [mm]	51 x 26 x 70
Materials	PUR black
Material nut	brass, nickel-plated
Tightening torque [Nm]	2
Remarks	
Pack quantity	1 pcs.
Electrical connection	
Cable: 10 m, PUR, Halogen-free, black, Ø 9.3 mm; 8 x 0.5 mm ² (63 x Ø 0.1 mm) + 3 x 1.0 mm ² (127 x Ø 0.1 mm)	
Electrical connection - socket	
Connector: 1 x M23, angled; Moulded body: PUR; Locking: brass, nickel-plated	

E11740

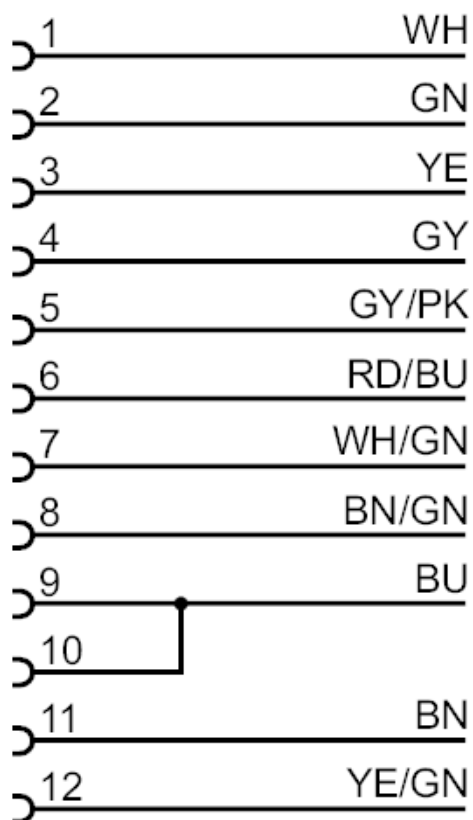


Connecting cable with socket

ADOAK120MSS0010H12



Connection



Core colours :

BN =	brown
BU =	blue
GN =	green
GY =	grey
PK =	pink
RD =	red
WH =	white
YE =	yellow