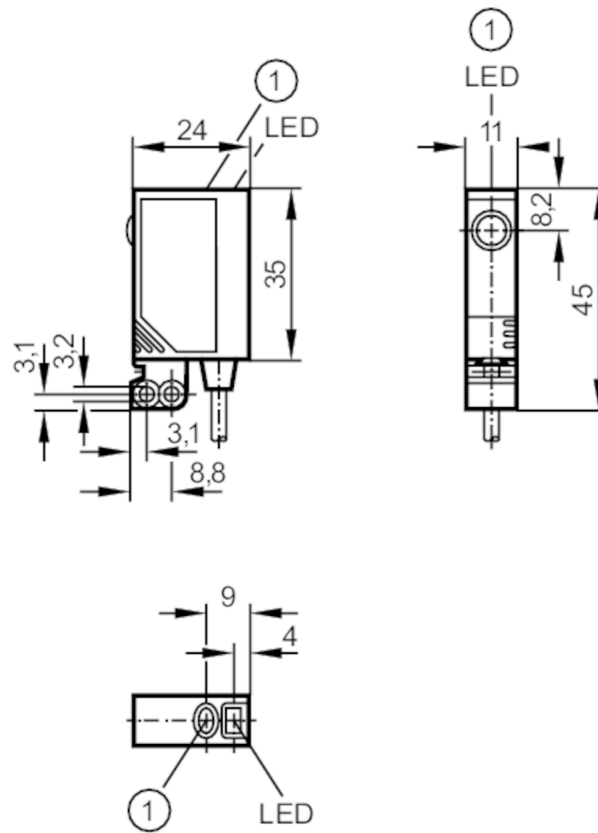




## Through-beam sensor receiver

OJE-FPKG/SO



1 pushbutton



### Product characteristics

|                 |              |
|-----------------|--------------|
| Type of light   | red light    |
| Housing         | rectangular  |
| Dimensions [mm] | 35 x 11 x 24 |

### Application

|                    |                     |
|--------------------|---------------------|
| Function principle | Through-beam sensor |
|--------------------|---------------------|

### Electrical data

|                             |            |
|-----------------------------|------------|
| Operating voltage [V]       | 10...30 DC |
| Current consumption [mA]    | < 12       |
| Protection class            | III        |
| Reverse polarity protection | yes        |
| Type of light               | red light  |
| Wave length [nm]            | 660        |

# OJ5034



## Through-beam sensor receiver

OJE-FPKG/SO

| Outputs  |   |                 |
|--|---|-----------------|
| Electrical design                                    | PNP   |                 |
| Output function                                      | light-on/dark-on mode; (programmable)                                   |                 |
| Max. voltage drop switching output DC [V]            | 2.5   |                 |
| Permanent current rating of switching output DC [mA] | 200   |                 |
| Switching frequency DC [Hz]                          | 1200  |                 |
| Short-circuit protection                             | yes   |                 |
| Type of short-circuit protection                     | pulsed  |                 |
| Overload protection                                  | yes   |                 |
| Detection zone                                       |   |                 |
| Transmitter / receiver                               | receiver  |                 |
| Range [m]  | < 10  |                 |
| Range adjustable                                     | yes   |                 |
| Operating conditions                                 |   |                 |
| Ambient temperature [°C]                             | -25...60  |                 |
| Protection   | IP 67   |                 |
| Tests / approvals                                    |   |                 |
| EMC  | EN 60947-5-2  |                 |
| MTTF [years]   | 952   |                 |
| Mechanical data                                      |   |                 |
| Weight [g]   | 72.5  |                 |
| Housing  | rectangular   |                 |
| Dimensions [mm]                                      | 35 x 11 x 24  |                 |
| Materials  | housing: ABS; fixture: diecast zinc; LED window: SEPS; pushbutton: SEPS |                 |
| Lens material  | glass   |                 |
| Lens alignment                                       | side lens   |                 |
| Displays / operating elements                        |   |                 |
| Display  | switching status  | 1 x LED, yellow |
|  | operation   | 1 x LED, green  |
|  | function  | 1 x LED, red    |
| Electronic lock                                      | yes   |                 |
| Accessories  |   |                 |
| Accessories (supplied)                               | Basic clip: 1 x, E20964   |                 |
|  | screws: 2 x x M3 x 16   |                 |
|  | spring washers: 2 x   |                 |
|  | Nuts: 2 x   |                 |
| Remarks  |   |                 |
| Remarks  | operating voltage "supply class 2" according to cULus                   |                 |
| Pack quantity  | 1 pcs.  |                 |

# OJ5034



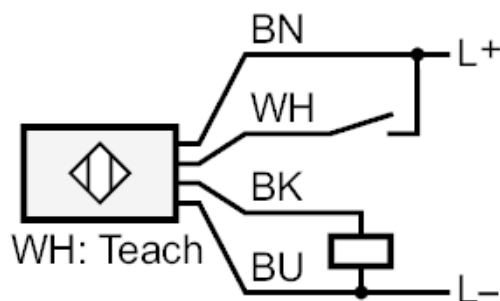
## Through-beam sensor receiver

OJE-FPKG/SO

### Electrical connection

Cable: 2 m, PVC; 4 x 0.14 mm<sup>2</sup>

### Connection



Core colours :

|      |       |
|------|-------|
| BK = | black |
| BN = | brown |
| BU = | blue  |
| WH = | white |



## Through-beam sensor receiver

OJE-FPKG/SO

### Diagrams and graphs

excess gain graph

