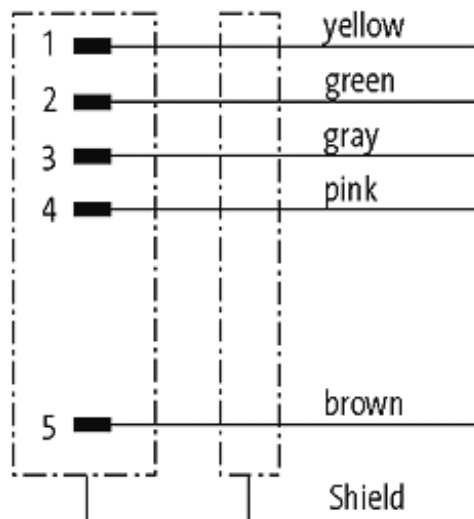


M12 MALE 90° B CODED SHIELDED WIREABLE SCREW TERM.5 POLE max. 0.75mm² 6-8mm PROFIBUS

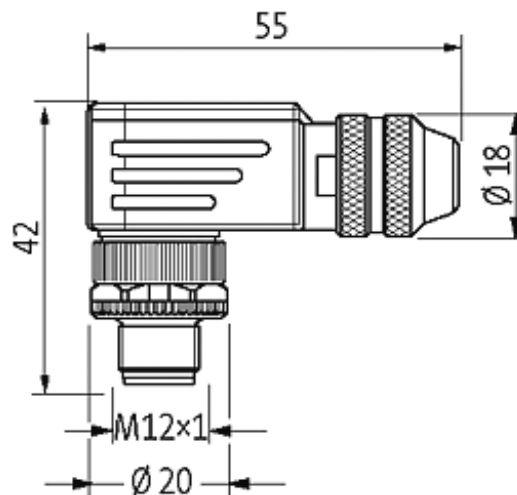
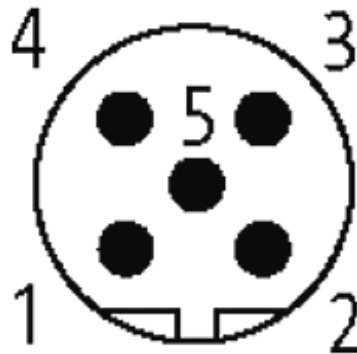
M12

Male 90°

Field wireable (screw terminals)

B-coded, 5-pole, shielded
for PROFIBUS + Interbus[Link to Product](#)**Illustration**

Male



Product may differ from Image

Form

14011

Technical Data

Operating voltage	max. 60 V AC/DC
Operating current per contact	max. 4 A
Connection cross section	max. 0.75 mm ²
Sealing range (cable diameter)	6...8 mm
Protection	IP67 inserted and tightened (EN 60529)
Housing	CuZn, nickel plated

General data

Temperature range	-25...+85 °C
-------------------	--------------

Commercial data

country of origin	DE
customs tariff number	85369010
minimum order quantity	1