

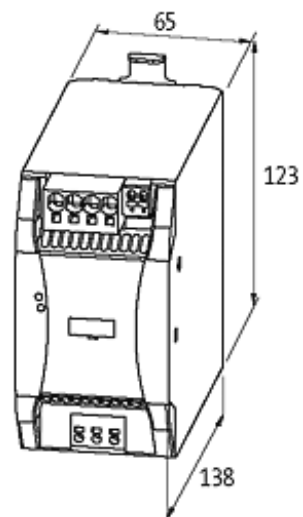
**EMPARRO POWER SUPPLY 1-PHASE,**

IN: 100-240VAC OUT: 48-56VDC/5A

INPUT: 85...265 V AC/90...250 V DC

OUTPUT: 48 V DC

Current: 5 A

[Link to Product](#)**Illustration**

Product may differ from Image

**Approvals**



### Input

Input voltage	85...265 V AC/90...250 V DC
Input current	2.6 A (100 V AC); 1.1 A (240 V AC)
Inrush current after 1 ms	max. 5.5 A (230 V AC)
Power factor	0.95 (230 V AC)
Primary fusing external	max. 20 A (T), cable protection
Frequency	50...60 Hz

### General data

Standards	(EN 60950-1), (EN 61204-3), (EN 55011 B), (EN 61000-3-2)
Relative humidity	5...95 %, no condensation
Efficiency	94.5 %
Dimensions H × W × D	123×65×138 mm
Mounting method	DIN-rail mountable TH35 (EN 60715)
Temperature range	-25...+60 °C, ...+70 °C derating (storage temperature -40...+80 °C)

### Output

Output voltage	48 V DC (SELV), ±1 %; 48...56 V adjustable
Power Boost	I <sub>out</sub> N × 150 % (min. 4 s)
Output current	5 A
Mains failure bridging time	min. 30 ms (100 V AC); 5 A (48 V DC)
Ripple	max. 50 mV <sub>rms</sub>
Unit protection	short-circuit and overload protected
Spikes	max. 200 mV p-p
LED display	LED (green): OK; LED (red): overload, overheating or short-circuit
Parallel usage/serial usage	max. 5 units/max. 2 units

### Commercial data

country of origin	CZ
customs tariff number	85044090
minimum order quantity	1