

SWITCH-DISCONNECTOR 80A, FRAME SIZE 2, 4-
POLE FRONT OPERATING CENTER BASIC UNIT
WITHOUT HANDLE BOX TERMINAL



| Model | | |
|--|----|--------------------------|
| product brand name | | SENTRON |
| Product designation | | Switching device |
| Design of the product | | 3KD switch disconnectors |
| Design of the operating mechanism | | without |
| Design of handle | | without |
| Type of the driving mechanism / motor drive | | No |
| General technical data | | |
| Number of poles | | 4 |
| Type of device | | fixed mounting |
| circuit-breaker / Design | | 3KD2 |
| Mechanical service life (switching cycles) / typical | | 15 000 |
| Overvoltage category | | III |
| Voltage | | |
| Insulation voltage / Rated value | V | 1 000 |
| Surge voltage resistance / Rated value | kV | 8 |
| Protection class | | |
| Protection class IP | | IP20 |
| Protection class IP / on the front | | IP20 |
| Dissipation | | |
| Active power loss | | |
| <ul style="list-style-type: none"> with conventional rated thermal current / per pole | W | 2 |

Electricity

| | | |
|---|----|----|
| Continuous current | | |
| • Rated value | A | 80 |
| • at 40 °C / Rated value | A | 80 |
| • at 45 °C / Rated value | A | 80 |
| • at 50 °C / Rated value | A | 80 |
| • at 55 °C / Rated value | A | 80 |
| • at 60 °C / Rated value | A | 80 |
| • at 65 °C / Rated value | A | 80 |
| • at 70 °C / Rated value | A | 80 |
| Short-time current resistance (I _{cw}) / limited to 1 s / Rated value | kA | 4 |

Main circuit

| | | |
|---|----|-----|
| Operating power | | |
| • at AC-23 A / at 400 V / at 50/60 Hz / Rated value | kW | 37 |
| • at AC-23 A / at 500 V / at 50/60 Hz / Rated value | kW | 55 |
| • at AC-23 A / at 690 V / at 50/60 Hz / Rated value | kW | 75 |
| Operating voltage | | |
| • with AC / at 50/60 Hz / Rated value | V | 690 |

Auxiliary circuit

| | | |
|--|--|---|
| Number of CO contacts / for auxiliary contacts | | 4 |
| Number of NC contacts / for auxiliary contacts | | 0 |
| Number of NO contacts / for auxiliary contacts | | 0 |

Suitability

| | | |
|-----------------------------|--|-----|
| Suitability for use | | |
| • Main switch | | Yes |
| • switch disconnecter | | Yes |
| • EMERGENCY OFF switch | | No |
| • safety switch | | Yes |
| • maintenance/repair switch | | Yes |

Product details

| | | |
|---|--|----|
| Product feature / interlock | | No |
| Product component | | |
| • Trip indicator | | No |
| • Voltage trigger | | No |
| • undervoltage release | | No |
| • undervoltage release with leading contact | | No |
| Product expansion | | |

| | |
|--------------------|-----|
| • Auxiliary switch | Yes |
| • optional | |
| — motor drive | No |
| — Voltage trigger | No |

Connections

Type of electrical connection

| | |
|----------------------------|--------------|
| • for main current circuit | Box terminal |
|----------------------------|--------------|

Mechanical Design

| | | |
|--|----|---|
| Height | mm | 126 |
| Width | mm | 148 |
| Depth | mm | 68 |
| mounting position | | any |
| Mounting type | | Floor mounting and snap-on mounting to 35 mm standard mounting rail |
| Mounting type | | |
| • front mounting with 4-hole attachment | | No |
| • front mounting with central attachment | | No |
| • rail mounting | | Yes |

Environmental conditions

Ambient temperature

| | | |
|------------------------------|----|-----|
| • during operation / minimum | °C | -25 |
| • during operation / maximum | °C | 70 |
| • during storage / minimum | °C | -50 |
| • during storage / maximum | °C | 80 |

Certificates

Equipment marking / acc. to DIN EN 61346-2

Q

General Product Approval

Declaration of Conformity



Further information

Information- and Downloadcenter (Catalogs, Brochures,...)

<http://www.siemens.com/lowvoltage/catalogs>

Industry Mall (Online ordering system)

<https://eb.automation.siemens.com/mall/en/WW/Catalog/Product/3KD28402NE200>

Service&Support (Manuals, Certificates, Characteristics, FAQs,...)

<http://support.automation.siemens.com/WW/view/en/3KD28402NE200/all>

Image database (product images, 2D dimension drawings, 3D models, device circuit diagrams, ...)

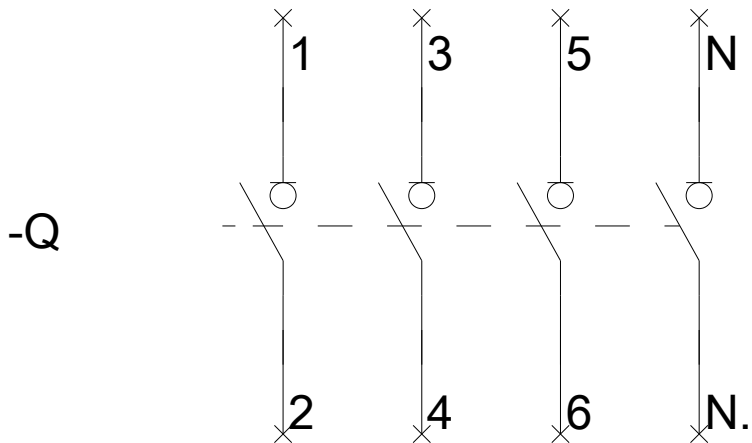
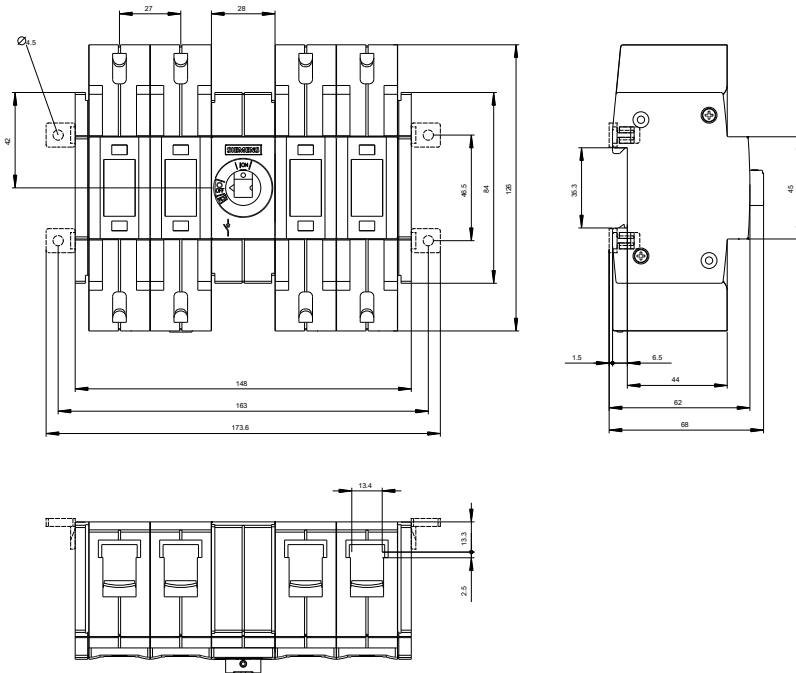
http://www.automation.siemens.com/bilddb/cax_en.aspx?mlfb=3KD28402NE200

CAX-Online-Generator

<http://www.siemens.com/cax>

Tender specifications

<http://ausschreibungstexte.siemens.com/tiplv>



last modified:

11.03.2015