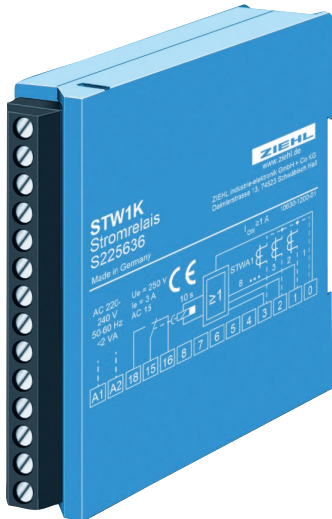


Current-Relay STW1K

AC-Detection, OR-Evaluation of 1-8 Transformers

STW1K



Current relay in OR evaluation with 8 inputs, designed e.g. for controlling of suction plants in the timber and plastics processing industry.

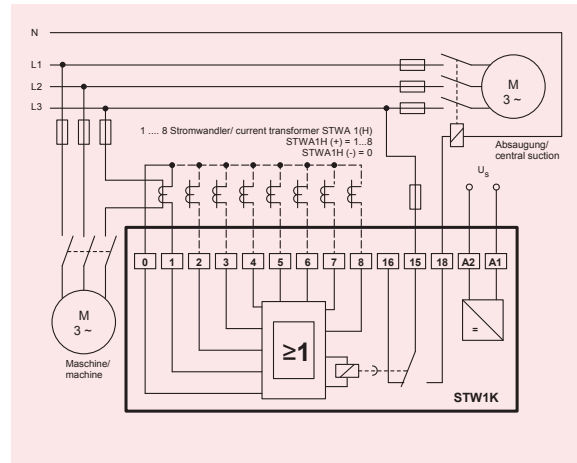
When there is an AC-current >1 A through one of up to 8 connected transformers STWA 1, the integrated relay (1co) picks up. When all currents are 0, the relay releases with a delay of approx. 10s. This enables a run-after of the central suction.

- 8 inputs
- OR-evaluation
- relay picks up if at least 1 input is activated
- operating value approx. 1 A
- turn-off delay approx. 10 s
- not necessary inputs remain open
- options:
 - switch-on delay 3 s
 - without switch-off delay

Order-number:

AC 220 - 240 V
AC/DC 24 V

S225636
S225658



Technical Data

Rated supply voltage U_s

AC 220 - 240 V $+10-15\%$, < 3 VA, 50/ 60 Hz
AC/DC 24 V, DC 21-30 V, AC 20,4-26,4 Hz

Transformer input
Overload cap.continuous/max 10s
Function
Switching point on
Switching point off
Switch-off delay
Switch-on delay

1...8, type STWA , order-number S 225201
100 A / 300 A
OR-evaluation
 \leq AC 1 A
 $>$ AC 0,3 A
approx. 10 sec.
approx. 0,5 sec.

Output relay
Type of contact
Test conditions
Rated ambient temperature range

1 change-over contact (co)
type 2, see "general technical informations"
see "general technical informations"
 $-20^\circ\text{C} \dots +55^\circ\text{C}$

Dimensions (h x w x d)
Attachment

Design K: 75 x 22.5 x 115 [mm]
on 35 mm DIN rail according to DIN EN 60715
or with screws M4 (option)

Protection housing / terminals
Weight

IP 40 / IP 20
approx. 140 g