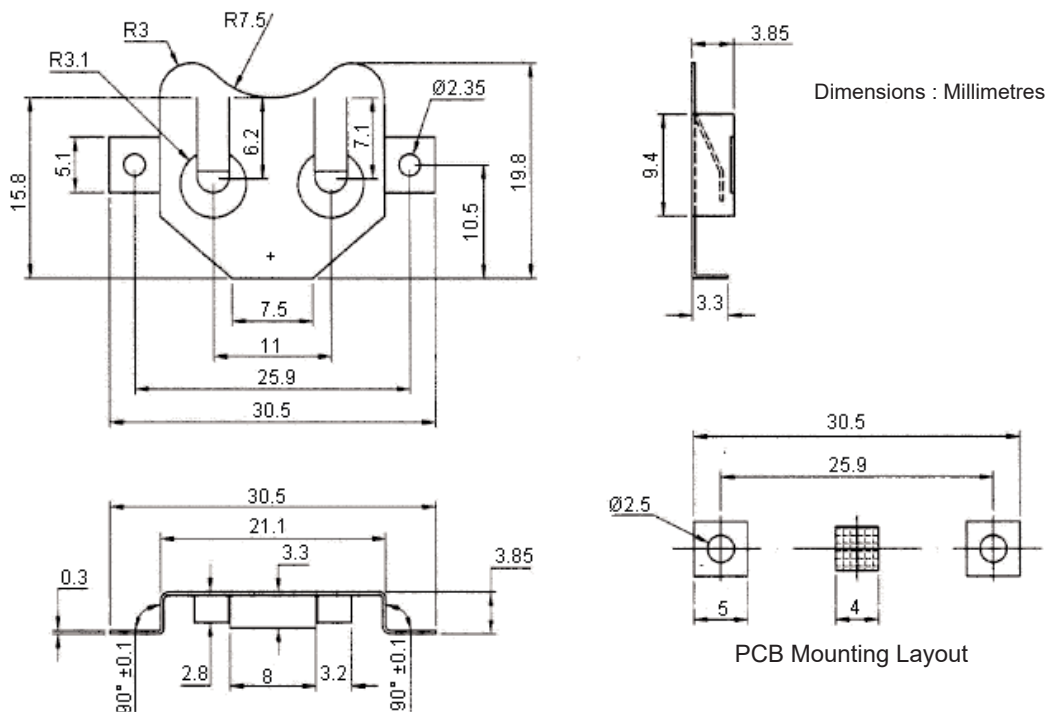


**RoHS  
Compliant**



**Description:**

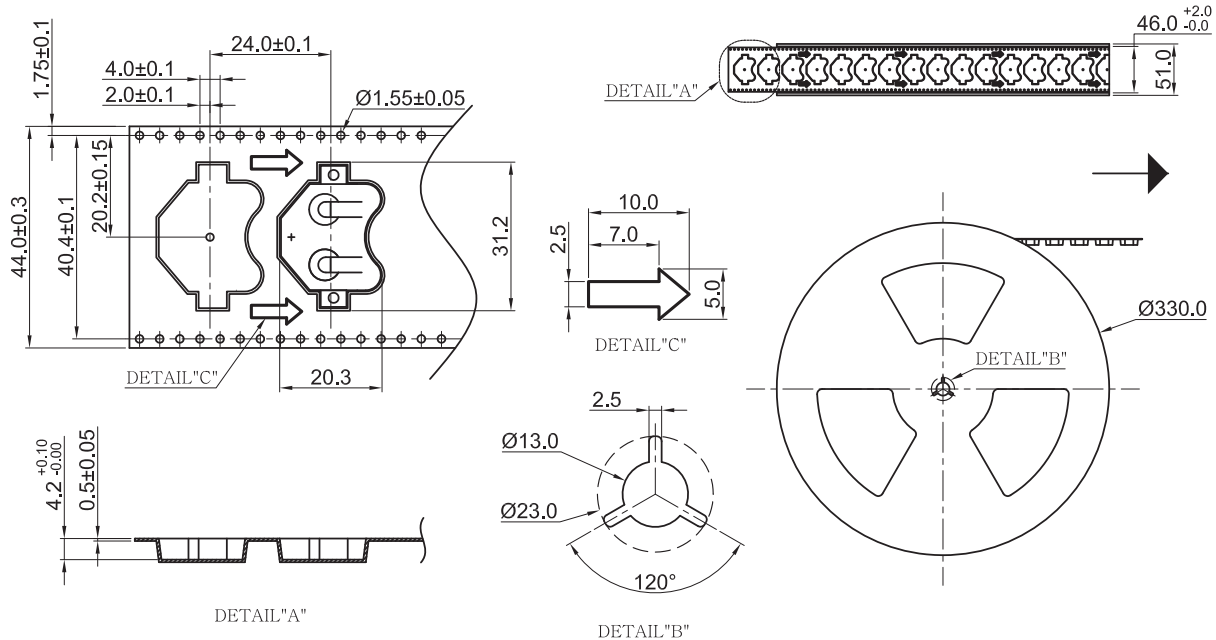
- Compatible with all wave and reflow operations
- Solder tails located outside of retainer body which facilitates visual inspection of the solder joints
- Flow-hole solder tail designed for increased joint strength
- Compatible with most vacuum and mechanical pick & place assembly systems



**Specifications:**

Material : 0.3 mm Phosphorus Bronze, nickel plate

All tolerance in  $\pm 0.05$  mm unless otherwise specified



**Notes:**  
 BC-2001 500 pcs packed in a taping reel.

## Part Number Table

Description	Part Number
Battery Retainer Clip, 2032, 20mm, SMT	BC-2001
Battery Retainer Clip, 2032, 20mm, SMT, Reel 500	BC-2001-TR

**Important Notice :** This data sheet and its contents (the "Information") belong to the members of the AVNET group of companies (the "Group") or are licensed to it. No licence is granted for the use of it other than for information purposes in connection with the products to which it relates. No licence of any intellectual property rights is granted. The Information is subject to change without notice and replaces all data sheets previously supplied. The Information supplied is believed to be accurate but the Group assumes no responsibility for its accuracy or completeness, any error in or omission from it or for any use made of it. Users of this data sheet should check for themselves the Information and the suitability of the products for their purpose and not make any assumptions based on information included or omitted. Liability for loss or damage resulting from any reliance on the Information or use of it (including liability resulting from negligence or where the Group was aware of the possibility of such loss or damage arising) is excluded. This will not operate to limit or restrict the Group's liability for death or personal injury resulting from its negligence. Multicomp Pro is the registered trademark of Premier Farnell Limited 2019.