

RoHS
Compliant



Description

Black Single Gas Spring Monitor Arm with clamp for 17" to 32" screen size

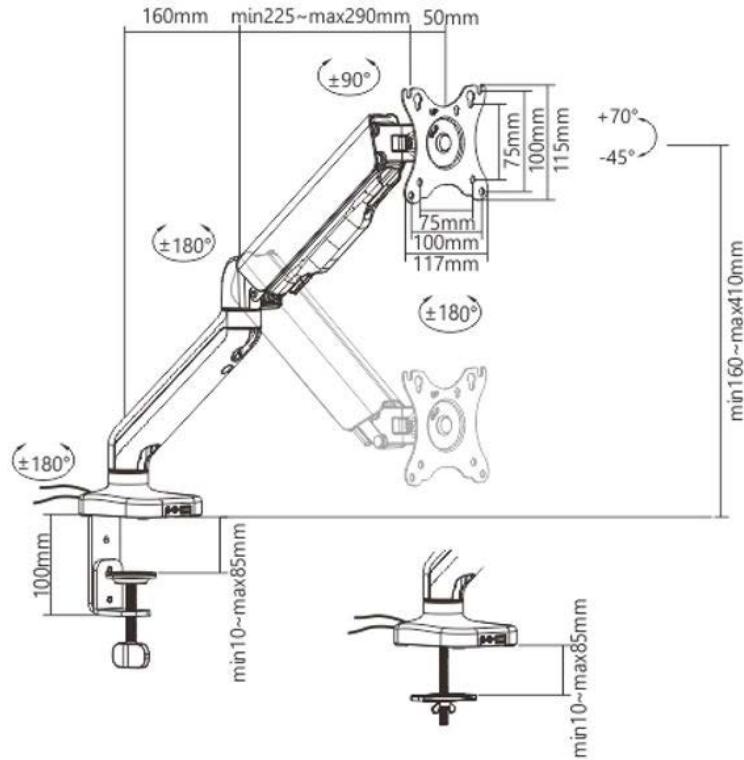
Features

- Keyhole Pattern: allows for easy installation
- Built-in Spring Tension Mechanism: for perfect weight adjustments
- Two Mounting Options: both desk clamp and grommet are included
- Gas spring perfectly counterbalances the weight of your screen to help effortless adjustment for viewing comfort
- Cable Management: keeps everything organized

Specifications

Product Category	: Gas Spring Monitor Arm
Rank	: Standard
Material	: Steel, Plastic, Aluminum
Surface Finish	: Powder Coating
Colour	: Matte Black
Dimensions	: 117mm × 470mm × 592mm (4.6" × 18.5" × 23.3")
Fit Screen Size	: 17"-32"
Fit Curved Monitor	: Yes
Screen Quantity	: 1
Weight Capacity (per screen)	: 2~9kg (4.4lbs~19.8lbs)
VESA Compatible	: 100 × 100, 75 × 75
Tilt Range	: +70° to -45°
Swivel Range	: +90° to -90°
Screen Rotation	: +180° to -180°
Arm Full Extension	: 450mm (17.7")
Installation	: Grommet, Clamp
Suggested Desktop Thickness	: Clamp: 10~85mm Grommet: 10~85mm (Clamp: 0.39"~3.3" Grommet: 0.39"~3.3")
Cable Management	: Yes
Certification	: BIFMA

Diagram



Dimensions : Millimetres

Part Number Table

Description	Part Number
Monitor Arm, Single, 17" × 32", Gas Spring, Clamp, Black	MP010430

Important Notice : This data sheet and its contents (the "Information") belong to the members of the AVNET group of companies (the "Group") or are licensed to it. No licence is granted for the use of it other than for information purposes in connection with the products to which it relates. No licence of any intellectual property rights is granted. The Information is subject to change without notice and replaces all data sheets previously supplied. The Information supplied is believed to be accurate but the Group assumes no responsibility for its accuracy or completeness, any error in or omission from it or for any use made of it. Users of this data sheet should check for themselves the Information and the suitability of the products for their purpose and not make any assumptions based on information included or omitted. Liability for loss or damage resulting from any reliance on the Information or use of it (including liability resulting from negligence or where the Group was aware of the possibility of such loss or damage arising) is excluded. This will not operate to limit or restrict the Group's liability for death or personal injury resulting from its negligence. Multicomp Pro is the registered trademark of Premier Farnell Limited 2019.