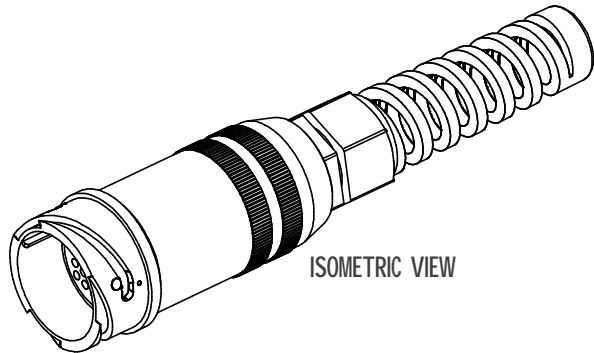


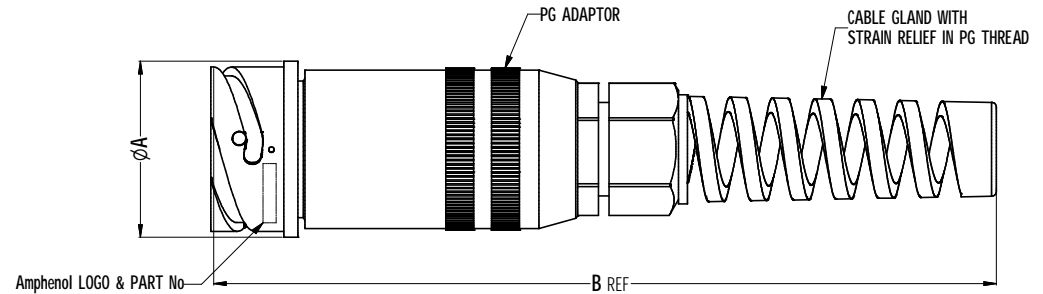


Part list, Dimensions in mm (inches)

ITEM	PART No	No OF CONTACTS	CABLE GLAND THREAD SIZE	DIAMETER A	LENGTH B
1	MP-4101-13P	13	PG11	37.8	160
2	MP-4101-19P	19	PG13.5	41.1	171
3	MP-4101-25P	25	PG16	41.5	193
4	MP-4101-37P	37	PG21	50.9	210
5	MP-4101-54P	54	PG21	57.1	210



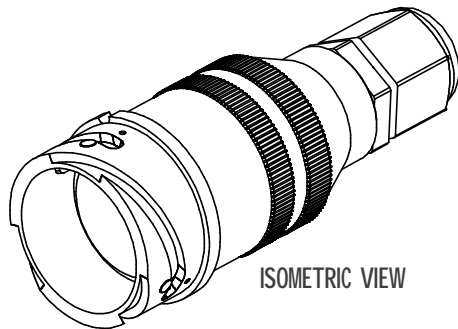
ISOMETRIC VIEW



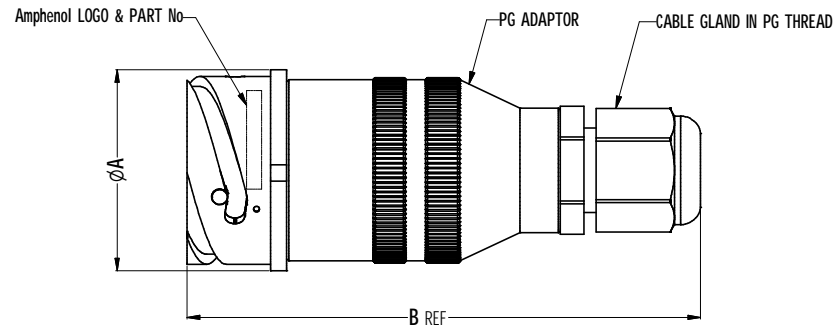
13, 19, 25, 37 AND 54 CONTACT TYPE

Part list, Dimensions in mm (inches)

ITEM	PART No	No. OF CONTACTS	CABLE GLAND THREAD SIZE	DIAMETER A	LENGTH B
6	MP-4101-85P	85	PG29	70.0	137
7	MP-4101-150P	150	PG36	70.0	145



ISOMETRIC VIEW



85, 150 AND 200 CONTACT TYPE

NOTES:

- MATERIAL AND FINISH:
- FOR CONNECTOR SHELL AND ADAPTOR: ALUMINUM ALLOY, BLACK FINISH
- FOR PG CABLE GLAND: POLYAMIDE BLACK
- SUPPLIED WITH GOLD PLATED CONTACTS

CUSTOMER DRAWING

UNLESS OTHERWISE SPECIFIED TOLERANCE TO BE		THIS DOCUMENT IS THE PROPERTY OF AMPHENOL AUSTRALIA PTY. LTD. NO PART THEREOF MAY BE REPRODUCED AND USED WITHOUT THE PRIOR WRITTEN CONSENT OF THE OWNER				REV.		TITLE:		DRAWING NO.	
LINEAR	ANGULAR	CAD FILE: 55010242000214	DRN: T.N	DATE: 01-08-03	FIRST ISSUE		CABLE CONNECTING RECP WITH PIN CONTACT		Amphenol		
X ±	X' ± 1	MATL: SEE NOTE 1	CKD: S.R	DATE: 20/02/06	CHANGE DETAILS		BY		SHEET		
X.X ±	X'X' ± 30°	FINISH: SEE NOTE 1	APP'D: P.M	DATE: 20/02/06	CHANGE DETAILS		DATE		2/2		
X.XX ±	X'X'X' ± 15°	DO NOT SCALE	SCALE:	PART No: SEE TABLE	CHANGE DETAILS		DATE		2/2		
BREAK ALL SHARP EDGES AND REMOVE ALL BURRS		DIMENSIONS IN MILLIMETRES		THIRD ANGLE PROJECTION		SCALE:		PART No: SEE TABLE		SIZE: A4	

4	CHANGE FINISH TO BLACK COATING	T.N	17/02/06	8478
3	CHANGE FINISH ADD STAINLESS STEEL WEAR PIN	T.N	09/09/05	8422
2	CHANGE FINISH FROM PLATING TO COATING	L.V	16-04-04	8277
1	ADD DETAIL DIMS OF PG ADPTOR ADD NOTE 3	T.N	30-10-03	8236
0		T.N	01-08-03	---

Amphenol	
Amphenol Australia Pty Ltd, 2 Pineway Blvd, Kaysborough, VIC3717	
DRAWING NO.	SHEET
55010242-000-2	2/2