

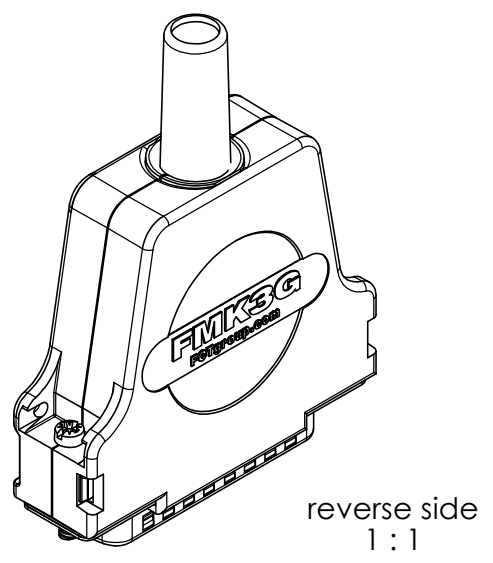
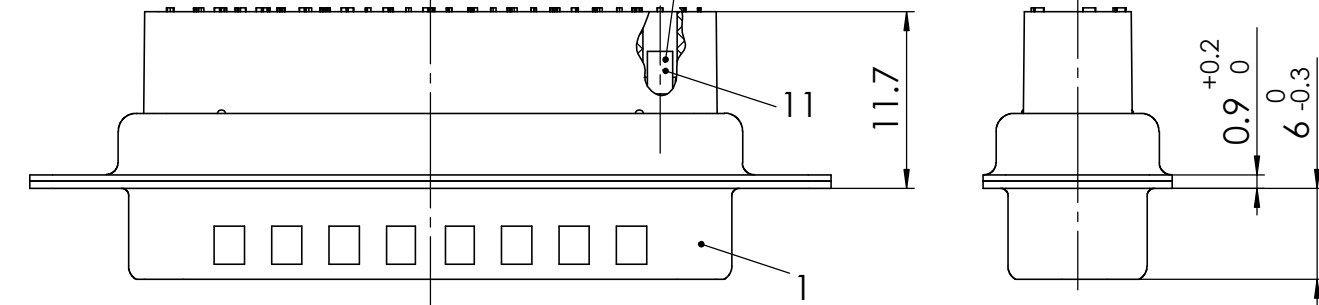
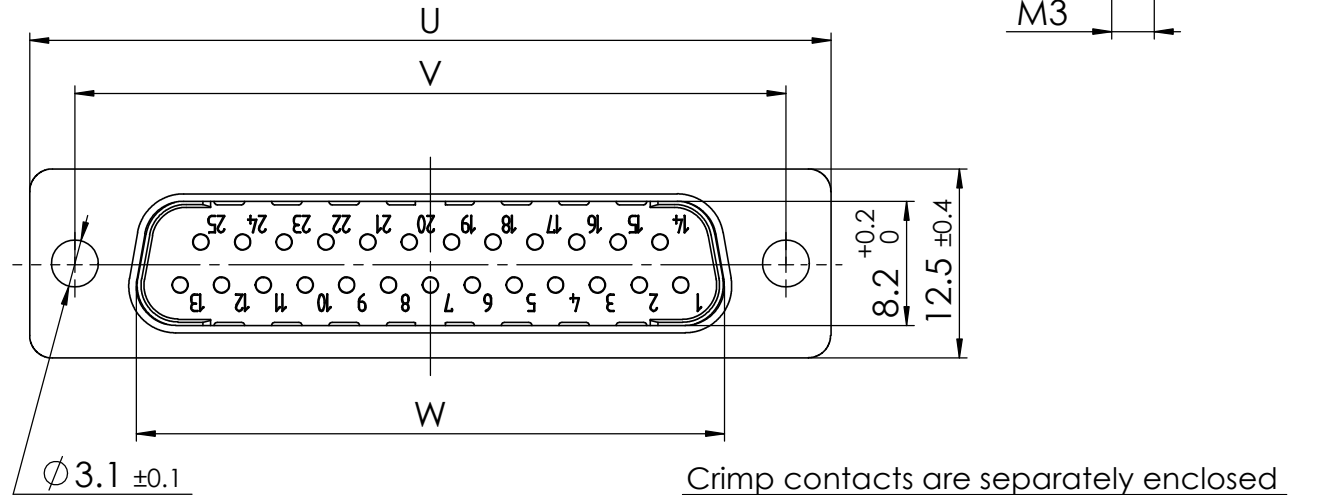
1	2	3	4	5	6	7	8				
Material-No.	Order-No.	Shell Size / for No. of Contacts	B ±0.1	C ±0.3	D ±0.3	∅F1 min - max	∅F2 max l Rubber bushing	H ±0.3	U ±0.4	V ±0.15	W +0.2
1731140961	FMK1G-09P7-6191	1 / 9	25	31.6	39.5	3 - 9.5	6.5	42	30.8	25	16.9
1731140969	FMK2G-15P7-6191	2 / 15	33.3	40	41	3 - 8.5	6.5	43.5	39.1	33.3	25.2
1731140977	FMK3G-25P7-6191	3 / 25	47.04	53.7	45	3 - 8.5	8	47.5	53	47.04	38.9

∅F1 = Cable diameter without rubber bushing  
∅F2 = Cable diameter with rubber bushing

# FMKyG-xxP7-6191

\*1) \*2)  
e.g. FMK3G-25P7-6191

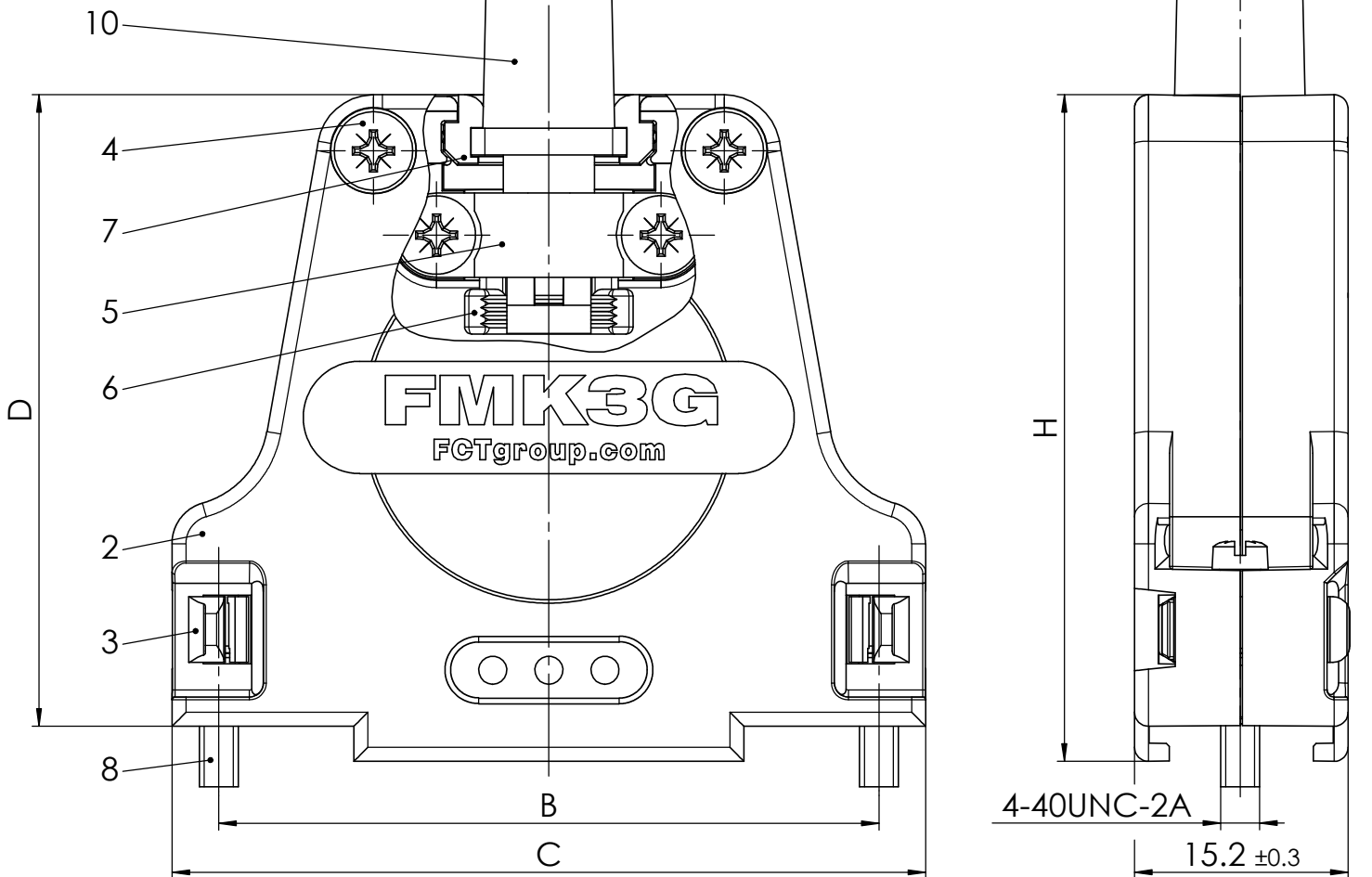
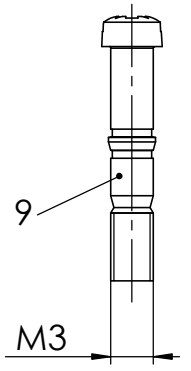
\*1) y for hood size 1, 2 or 3  
\*2) xx No. of contacts 09, 15 or 25



RoHS compliant  
by exemption

Packing unit on supplement AM0665

max. torque are 40 Ncm  
Part-No. 4, 5, 10 and 11 not mounted  
FMK1G-09P7-6191 with Part-No. 6 alternatively  
in Zinc die-cast, tin plated  
FMK1G-09P7-6191 without Part-No. 7



No.	St.	Part	Type Description/Material	Surface plating/Colour/Class
11	xx	Crimp contact	FK20PL-02V	0.2µm Au / AWG 20-24
10	1	Rubber bushing	TPE	black
9	2	Locking screw	FVS1/5-K1163 M3 / Steel	nickel plated
8	2	Locking screw	FVS1/5-K1163 4-40 / Steel	nickel plated
7	0/2	Cable reduction plate	Zinc die-cast	nickel plated
6	1	Strain relief	ABS	nickel plated
5	1	Cable clamp	Steel	tin plated
4	4	Screw	Case hardened steel	zinc plated
3	2	Catch spring	PEI	black
2	1	Hood	FMKyG / Zinc die-cast	nickel plated
1	1	D-Sub Crimp connector	FLxxP7-K120	

SYMBOLS					THIS DRAWING CONTAINS INFORMATION THAT IS PROPRIETARY TO MOLEX ELECTRONIC TECHNOLOGIES, LLC AND SHOULD NOT BE USED WITHOUT WRITTEN PERMISSION				
▽ = 0	▽ = 0	▽ = 0	▽ = 0	▽ = 0	DIMENSION UNITS	SCALE	MEASUREMENTS WITHOUT TOLERANCE ACC. TO	<b>molex</b>	
▽ = 0	▽ = 0	▽ = 0	▽ = 0	mm	2:1	ISO 2768-m			
▽ = 0	▽ = 0	▽ = 0	▽ = 0	▽ = 0	CURRENT REVISION			FCT Hood Connector Set	
▽ = 0	▽ = 0	▽ = 0	▽ = 0	▽ = 0	DRWN: DRAWN BY	ameyerrichte	13-04-2021		
▽ = 0	▽ = 0	▽ = 0	▽ = 0	▽ = 0	APPR: APPR BY	hstanisch	15-04-2021	PRODUCT CUSTOMER DRAWING	
▽ = 0	▽ = 0	▽ = 0	▽ = 0	▽ = 0	INITIAL REVISION			MATERIAL NUMBER	
▽ = 0	▽ = 0	▽ = 0	▽ = 0	▽ = 0	1	DRWN: DRAWN BY	ameyerrichte	13-04-2021	REVISION
▽ = 0	▽ = 0	▽ = 0	▽ = 0	▽ = 0	REV.	CH.-NO.	APPR: APPR BY	hstanisch	15-04-2021
▽ = 0	▽ = 0	▽ = 0	▽ = 0	▽ = 0	REPLACEMENT FOR:			DOCUMENT NUMBER	CUSTOMER
▽ = 0	▽ = 0	▽ = 0	▽ = 0	▽ = 0	THIRD ANGLE PROJECTION			FMKyG-xxP7-6191	GENERAL MARKET
▽ = 0	▽ = 0	▽ = 0	▽ = 0	▽ = 0	DRAWING			SHEET NUMBER	
▽ = 0	▽ = 0	▽ = 0	▽ = 0	▽ = 0	A3-SIZE			1 OF 1	

COMMENT: ALL RIGHTS ARE RESERVED BY US FOR THIS DRAWING. WITHOUT OUR PRIOR CONSENT, IT MAY NEITHER BE DUBLICATED NOR MADE AVAILABLE TO A THIRD PARTY. AND IT ALSO MAY NOT BE IMPROPERLY USED BY THE RECEIVER, OR A THIRD PARTY.