

5205980-1 ✓ ACTIVE

AMPLIMITE | AMPLIMITE Kit

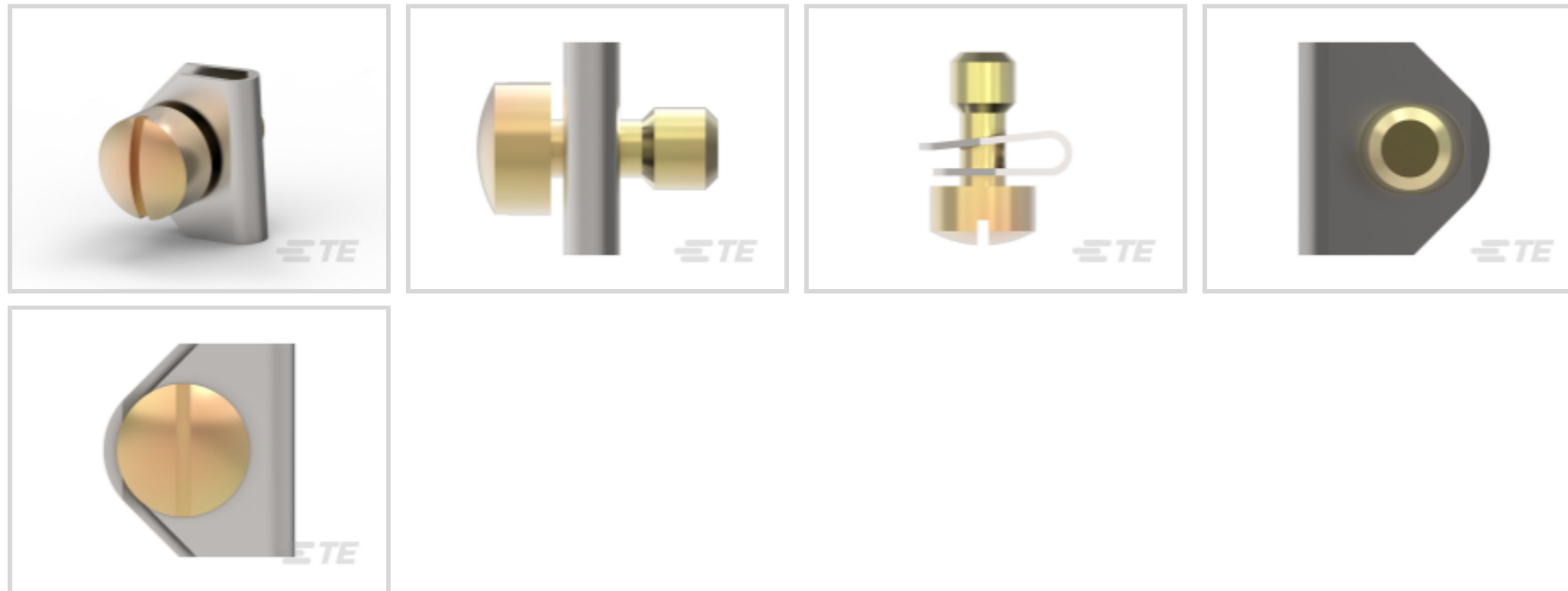
TE Internal #: 5205980-1

AMPLIMITE Kit, D-Sub Locking & Mounting, Screw Retainer Kit,  
Screw Length .22 in [5.59 mm]

[View on TE.com >](#)



Connectors > D-Shaped Connectors > D-Sub Accessories > Locking & Mounting



D-Shaped Connector Accessories: **Screw Retainer Kit**

Screw Length: **5.59 mm [ .22 in ]**

## Features

### Product Type Features

|                                |                    |
|--------------------------------|--------------------|
| Product Type                   | Accessory          |
| D-Shaped Connector Accessories | Screw Retainer Kit |

### Mechanical Attachment

|                          |                  |
|--------------------------|------------------|
| Screw Plating Material   | Zinc             |
| Screw Material           | Carbon Steel     |
| Screw Finish             | Yellow Chromate  |
| Screw & Hole Thread Size | 4-40             |
| Screw Length             | 5.59 mm [.22 in] |

### Operation/Application

|              |                                      |
|--------------|--------------------------------------|
| For Use With | Metal Shell Connectors (HDE and HDP) |
|--------------|--------------------------------------|

### Packaging Features

|                    |     |
|--------------------|-----|
| Packaging Quantity | 1   |
| Packaging Method   | Bag |

## Product Compliance

[For compliance documentation, visit the product page on TE.com>](#)

|   |   |
|---|---|
| EU RoHS Directive 2011/65/EU                  | Compliant with Exemptions   |
| EU ELV Directive 2000/53/EC                   | Compliant with Exemptions   |
| China RoHS 2 Directive MIIT Order No 32, 2016 | Restricted Materials Above Threshold  |
| EU REACH Regulation (EC) No. 1907/2006        | <p>Current ECHA Candidate List: JAN 2021 (211)</p> <p>Candidate List Declared Against: JAN 2021 (211)</p> <p>SVHC &gt; Threshold:</p> <p>Pb (.35% in Component Part)</p> <p><b>Article Safe Usage Statements:</b><br/>Do not eat, drink or smoke when using this product. Wash thoroughly after handling. Recycle if possible and dispose of the article by following all applicable governmental regulations relevant to your geographic location.</p> |
| Halogen Content                               | Low Halogen - Br, Cl, F, I < 900 ppm per homogenous material. Also BFR/CFR/PVC Free   |
| Solder Process Capability                     | Not applicable for solder process capability  |

#### Product Compliance Disclaimer

This information is provided based on reasonable inquiry of our suppliers and represents our current actual knowledge based on the information they provided. This information is subject to change. The part numbers that TE has identified as EU RoHS compliant have a maximum concentration of 0.1% by weight in homogenous materials for lead, hexavalent chromium, mercury, PBB, PBDE, DBP, BBP, DEHP, DIBP, and 0.01% for cadmium, or qualify for an exemption to these limits as defined in the Annexes of Directive 2011/65/EU (RoHS2). Finished electrical and electronic equipment products will be CE marked as required by Directive 2011/65/EU. Components may not be CE marked. Additionally, the part numbers that TE has identified as EU ELV compliant have a maximum concentration of 0.1% by weight in homogenous materials for lead, hexavalent chromium, and mercury, and 0.01% for cadmium, or qualify for an exemption to these limits as defined in the Annexes of Directive 2000/53/EC (ELV). Regarding the REACH Regulation, the information TE provides on SVHC in articles for this part number is based on the latest European Chemicals Agency (ECHA) 'Guidance on requirements for substances in articles' posted at this URL: <https://echa.europa.eu/guidance-documents/guidance-on-reach>

## Compatible Parts



Also in the Series | **AMPLIMITE Kit**



D-Sub Backshells &amp; Clamps(136)



D-Sub Contact Accessories(1)



D-Sub Covers(3)



D-Sub Locking &amp; Mounting(122)

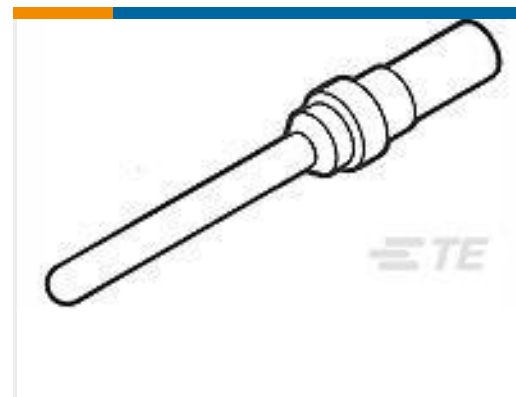
## Customers Also Bought



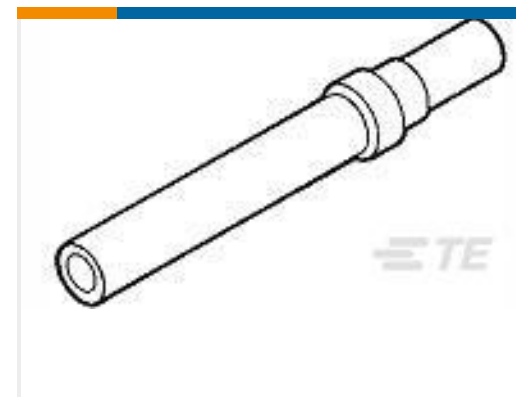
TE Part #205203-8  
D-Sub Crimp Recpt Signal 9 Posn,  
Socket Size 20, Shell Size 1



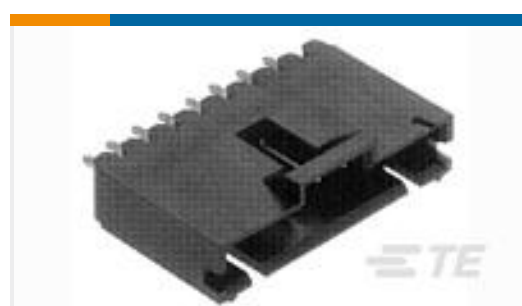
TE Part #1658670-2  
D-Sub Connector Contacts: Pin, Brass,  
Signal, Size 22



TE Part #205089-1  
HD 20 PIN CONTACT



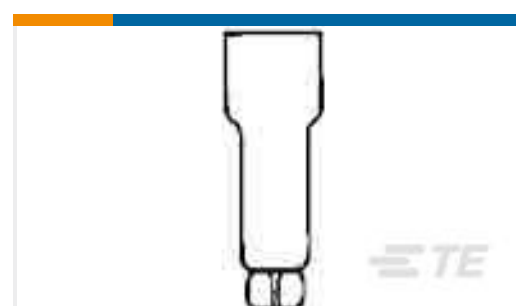
TE Part #205090-1  
HD 20 SOCKET CONTACT



TE Part #103735-5  
06 MTE HDR SRST LATCH .100CL



TE Part #2-1825011-4  
ASF42RG04=4PDT AUTOSLIDE



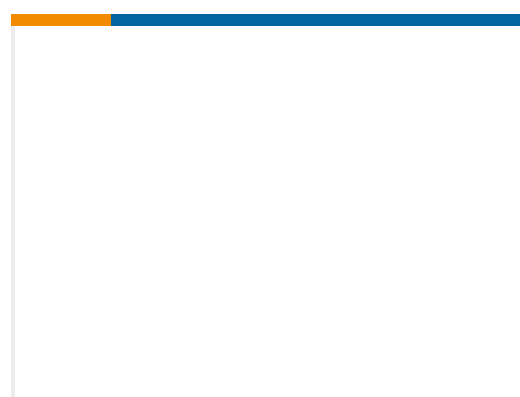
TE Part #2-328375-3  
SPLICE,CE 22-14



TE Part #1624364-2  
NTC0805 5% 4K7



TE Part #YACT26MB98SNV00100  
Straight Plug D38999, B98 Insert



TE Part #1825068-7  
C22904 CAP WHITE .39 DIA.

## Documents

### Product Drawings

#### SCREW RETAINER KIT

English

### CAD Files

#### 3D PDF

3D

### Customer View Model

ENG\_CVM\_CVM\_5205980-1\_O.2d\_dxf.zip



English

Customer View Model

[ENG\\_CVM\\_CVM\\_5205980-1\\_O.3d\\_igs.zip](#)

English

Customer View Model

[ENG\\_CVM\\_CVM\\_5205980-1\\_O.3d\\_stp.zip](#)

English

By downloading the CAD file I accept and agree to the [Terms and Conditions](#) of use.

---

### Datasheets & Catalog Pages

[AMPLIMITE Subminiature D Connectors - Cable Connectors](#)

English

[AMPLIMITE Cable Connectors and Shielding Hardware Kits QRG](#)

English

---

### Product Environmental Compliance

[MD\\_5205980-1\\_050420181216\\_dmtec](#)

English

[MD\\_5205980-1\\_050420181216\\_dmtec](#)

English

---

### Instruction Sheets

[Instruction Sheet \(U.S.\)](#)

English