

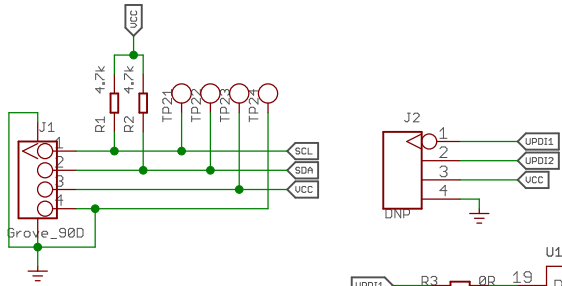
REV	Description	DATE	BY
1	Grove - Water Level Sensor (10CM)	2019/04/01	Milo.He
2	Reduce the diameter of the through-hole	2019/08/19	Milo.He

Seed Studio		
TITLE: Grove - Water Level Sensor (10CM)		
Design: Milo.He	Check: Yehu.He	
Date: 2019/8/19 10:11	Vision:	Sheet: 1/1

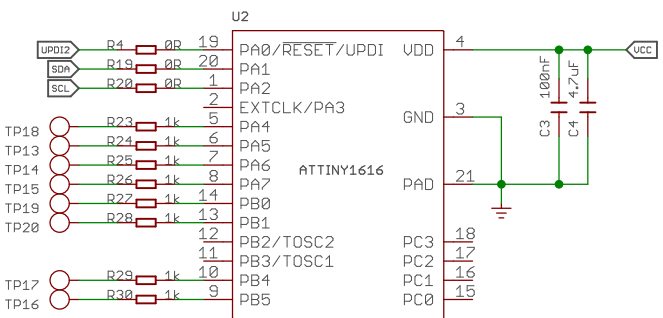
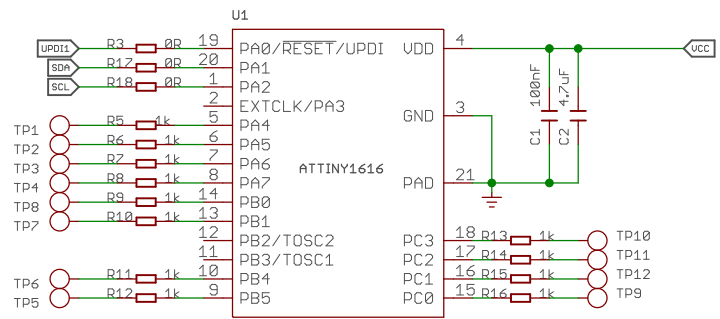
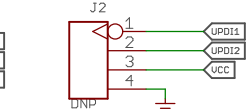
1 2 3 4 5 6

A

A



The line of all the sensors: 6 mil
UCC: 20mil



OSHW
LOGO



Seed Studio

TITLE: Grove - Water Level Sensor (10CM)

Design: Milo.He Check: Yehu.He

Date: 2019/8/19 10:11 Vision: Sheet: 1/1

1 2 3 4 5 6

D

D