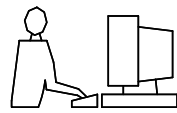
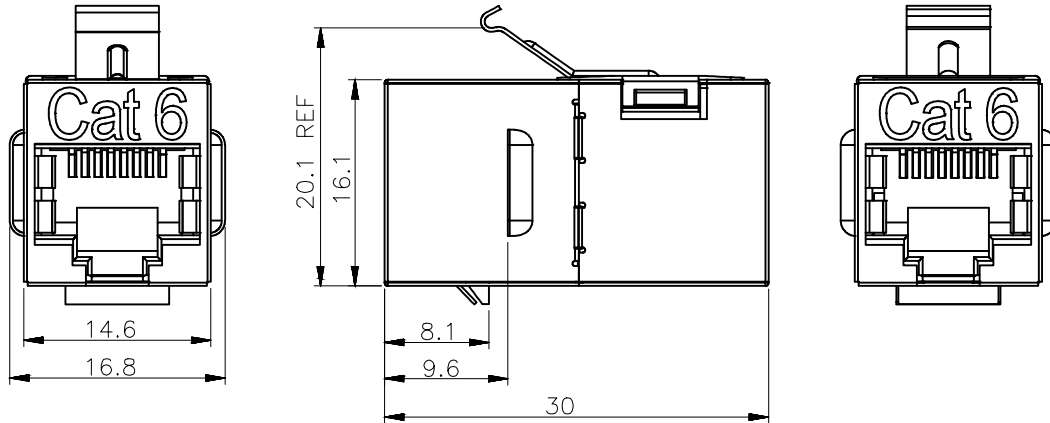


THIS IS A C.A.D. GENERATED DRAWING
DO NOT MAKE MANUAL REVISIONS TO MASTER.



* UNLESS OTHERWISE SPECIFIED TOLERANCES
ON DECIMAL IS: X. ±1
 X.X ±0.5
UNIT: MM X.XX ±0.2

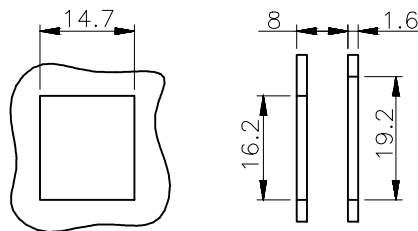


1. MATERIAL:
 - 1.1 SHIELDED CASE: BRASS, NICKEL PLATED
 - 1.2 BRACKET: SUS304
 - 1.3 COUPLER HOUSING: ABS, UL94V-0
 - 1.4 CONTACT HOLDER: ABS, UL94V-0
 - 1.5 SPRING WIRE: PHOSPHOR BRONZE, 50U" GOLD PLATED

2. PHYSICAL CHARACTERISTICS:
 - 2.1 INSERTION LIFE: 750 MATING CYCLES WITH FCC COMPLIANT 8P PLUG
 - 2.2 CONTACT FORCE: 100 GRAMS WITH FCC COMPLIANT 8P PLUG
 - 2.3 PLUG RETENTION FORCE: 11 LBF MIN
 - 2.4 OPERATING TEMPERATURE RANGE: -10°C TO 60°C
 - 2.5 STORAGE TEMPERATURE RANGE: -40°C TO 68°C
 - 2.6 HUMIDITY: 10%~90%RH

REFERENCE

SUGGESTED MOUNTING CUTOUT

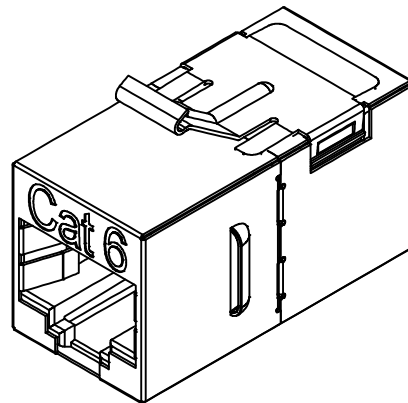


Cat 6

56Y4
E145249



LISTED
COMMUNICATION
CIRCUIT ACCESSORIES



3. ELECTRICAL:
 - 3.1 INSULATION RESISTANCE: 500MΩ
 - 3.2 DIELECTRIC WITHSTANDING VOLTAGE: 1000 V AC
 - 3.3 DC CURRENT RATING: 1.5Amps.
 - 3.4 DC RESISTANCE: 0.1Ω
 - 3.5 CONTACT RESISTANCE: 20mΩ

4. NOTE:
 - 4.1 WILL NOT SUPPORT CHANNEL SHORTER THAN 15M
 - 4.2 ONLY ACCEPT RJ-45 8P8C PLUG

ACCORDING TO: ANSI/TIA-568-C.2
ISO/IEC 11801 2nd Edition
IEC 60603-7

THESE DRAWINGS AND SPECIFICATIONS ARE THE PROPERTY OF MH CONNECTORS LTD. AND SHALL NOT BE REPRODUCED, COPIED OR USED AS THE BASIS FOR THE MANUFACTURE OR SALE OF APPARATUS WITHOUT WRITTEN PERMISSION.

DRAWN Haley	DATE 08-18-14
----------------	------------------

APPROVED	DATE
----------	------

SCALE	SHEET OF 1 OF 1	REV: 1.0
-------	--------------------	-------------

DRAWING No MH3101S-CAT6



THIS SERIES FULLY CONFORMS TO THE EUROPEAN UNION DIRECTIVES 2002/95/EC AND 2002/96/EC FOR RoHS COMPLIANCY.



MH CONNECTORS LTD.