

- 1
- 2
- 3
- 4
- 5
- 6
- 7
- 8
- 9
- 10
- 11
- 12
- 13
- 14
- 15
- 16
- 17
- 18

MATERIAL

Acetal-based technopolymer (POM), blue and orange.

FEATURES

Indicated when the flow needs to be separated or interrupted within the system.

Fitting to be implemented by means of snap coupling (Fig.1) with modular tubes FHT (see page -).

See Modular systems for lubrication (on page -).

CHEMICAL COMPATIBILITY

Material resistant to detergents, lubricants and oils, avoid contact with strong acids and bases.

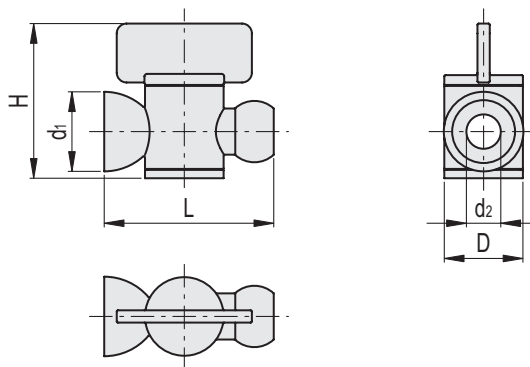
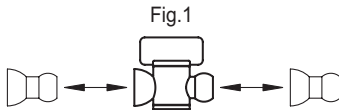
To use fluids other than those listed, contact Elesà's technical department. In any case we suggest to verify the suitability of the product under the actual working conditions.

SPECIAL EXECUTIONS ON REQUEST

Valve made from raw materials suitable for contact with food (FDA CFR.21 and EU 10/2011).

ACCESSORIES ON REQUEST

Pliers to assemble the components.



| Code | Description | D | L | H | d1 | d2 | For modular system | ⚖️ |
|--------|-------------|----|------|------|----|----|--------------------|----|
| 471301 | FHV.1/4-POM | 16 | 34.5 | 31.5 | 16 | 7 | 1/4 | 8 |