

TRAY

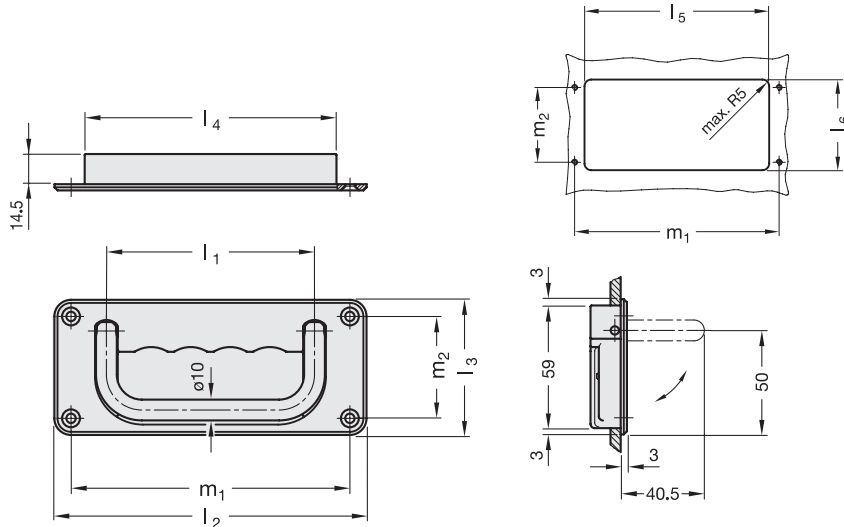
Die-cast zinc alloy, epoxy resin coating, matte finish.
Pass-through holes for M4 countersunk-head screws.

STANDARD EXECUTIONS

- **GN 425.8-CR-A:** chrome-plated steel handle. Click device to stop the handle in both positions.
- **GN 425.8-CR-B:** chrome-plated steel handle. Handle with return spring from work to rest position.
- **GN 425.8-NI-A:** AISI 304 stainless steel handle, sandblasted matte finish. Click device to stop the handle in both positions.
- **GN 425.8-NI-B:** AISI 304 stainless steel handle, sandblasted matte finish. Handle with return spring from work to rest position.
- **SW version:** in RAL 9005 black colour.
- **versione SR:** RAL 9006 grey colour.

FEATURES AND APPLICATIONS

GN 425.8 handle is particularly suitable in order to save space. The tray protrudes from the assembly surface by only 3 mm.



GN 425.8-CR

Code	Description	l1	l2	l3	l4	l5	l6	m1	m2	⚖
GN.26695	GN 425.8-100-CR-SW-A	100	150	65	121	122	60	134	49	339
GN.26693	GN 425.8-100-CR-SR-A	100	150	65	121	122	60	134	49	339
GN.26696	GN 425.8-100-CR-SW-B	100	150	65	121	122	60	134	49	341
GN.26694	GN 425.8-100-CR-SR-B	100	150	65	121	122	60	134	49	341
GN.26699	GN 425.8-120-CR-SW-A	120	170	65	141	142	60	154	49	376
GN.26697	GN 425.8-120-CR-SR-A	120	170	65	141	142	60	154	49	376
GN.26700	GN 425.8-120-CR-SW-B	120	170	65	141	142	60	154	49	380
GN.26698	GN 425.8-120-CR-SR-B	120	170	65	141	142	60	154	49	380

GN 425.8-NI

Code	Description	l1	l2	l3	l4	l5	l6	m1	m2	⚖
GN.26745	GN 425.8-100-NI-SW-A	100	150	65	121	122	60	134	49	342
GN.26743	GN 425.8-100-NI-SR-A	100	150	65	121	122	60	134	49	342
GN.26746	GN 425.8-100-NI-SW-B	100	150	65	121	122	60	134	49	344
GN.26744	GN 425.8-100-NI-SR-B	100	150	65	121	122	60	134	49	344
GN.26749	GN 425.8-120-NI-SW-A	120	170	65	141	142	60	154	49	379
GN.26747	GN 425.8-120-NI-SR-A	120	170	65	141	142	60	154	49	379
GN.26750	GN 425.8-120-NI-SW-B	120	170	65	141	142	60	154	49	384
GN.26748	GN 425.8-120-NI-SR-B	120	170	65	141	142	60	154	49	384

