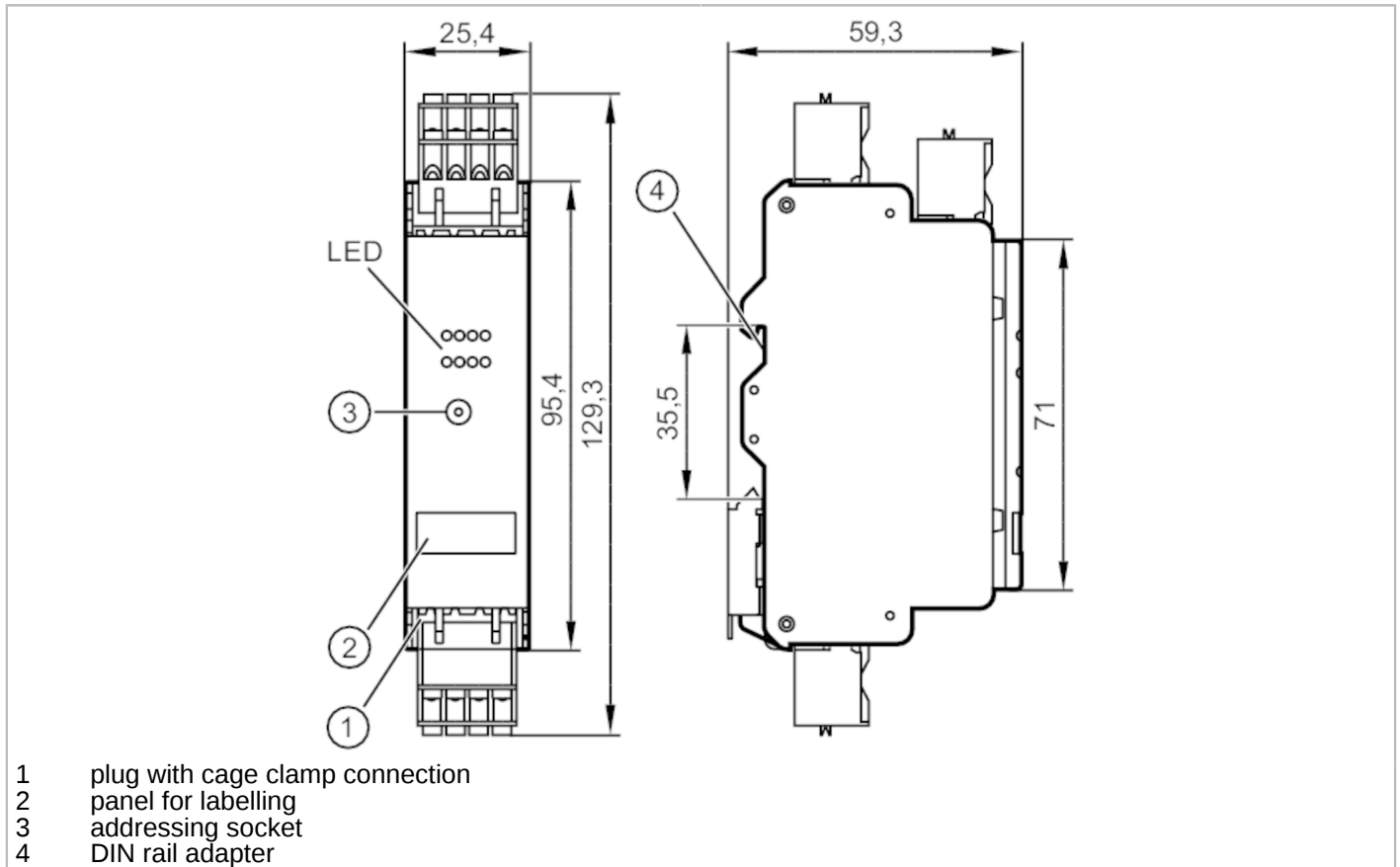


# AC3204



## AS-Interface control cabinet module

SmartL25 4 DI AUX T C



- 1 plug with cage clamp connection
- 2 panel for labelling
- 3 addressing socket
- 4 DIN rail adapter



Electrical data	
Operating voltage [V]	18...31.6 DC
Max. current consumption from AS-i [mA]	30
Additional voltage supply [V]	20...30 DC; (AUX)
Max. current consumption from additional supply [mA]	1000
Inputs / outputs	
Number of inputs and outputs	Number of digital inputs: 4
Inputs	
Number of digital inputs	4
Input circuit of digital inputs	PNP; (type 2 according to IEC 61131-2)
Sensor supply of the inputs	via E+/E- / separate to SELV / AUX
Voltage supply [V]	16...30; (DC)
Max. total current rating of inputs [mA]	1000
Input current High [mA]	6...10
Input current Low [mA]	0...2
Min. switching level high signal [V]	11
Digital inputs protected against short circuits	yes

# AC3204



## AS-Interface control cabinet module

SmartL25 4 DI AUX T C

Operating conditions					
Ambient temperature	[°C]	-25...65			
Max. relative air humidity	[%]	90; (non condensing)			
Max. height above sea level	[m]	2000			
Protection		IP 20			
Protection rating terminals		IP 20			
Degree of soiling		2			
Tests / approvals					
EMC		EN 62026-2			
		EN 61000-6-2			
		EN 61000-6-3			
MTTF	[years]	336			
Notes		The device shall be supplied from an isolating source.; This voltage source must have a secondary UL-listed fuse (see enclosed sheet).; Alternatively, a class 2 power supply can be used to supply AUX.			
AS-i classification					
AS-i version		2.11 + 3.0			
Extended addressing mode possible		yes			
AS-i profile		S-0.A.E			
AS-i I/O configuration	[hex]	0			
AS-i ID code	[hex]	A.E			
AS-i certificate		124404			
Assignment of the data bits	data bit	D0	D1	D2	D3
	input	I-1	I-2	I-3	I-4
Mechanical data					
Weight	[g]	133			
Type of mounting		mounting on DIN rail			
Materials		plastics; PC-GF20			
Displays / operating elements					
Display	switching status	LED, yellow I1...I4			
	operation	LED, green AS-i, AUX			
	errors	LED, red			
Accessories					
Accessories (supplied)		cage clamps			
Remarks					
Pack quantity		1 pcs.			

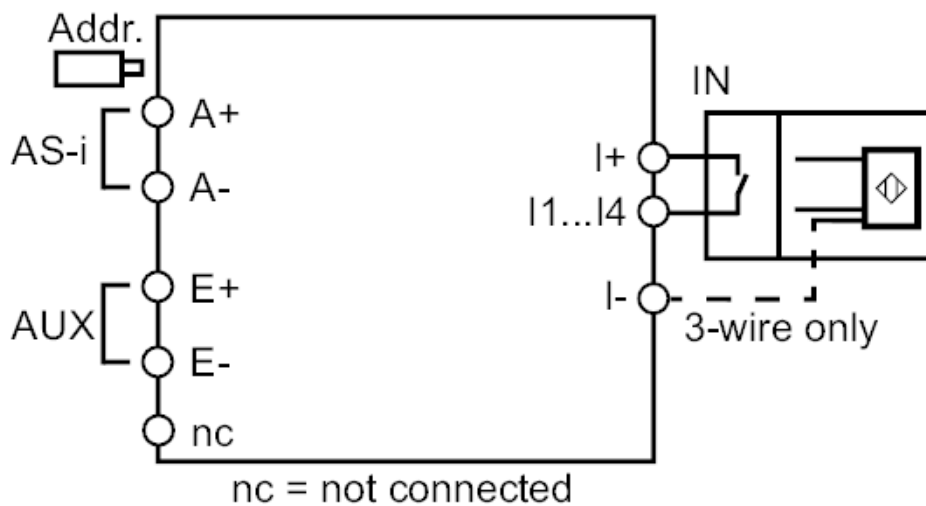
## AS-Interface control cabinet module

SmartL25 4 DI AUX T C

### Electrical connection

pin headers: 4 x ; Spacing: 5.0 mm

### Connection



A+	AS-i +
A-	AS-i -
I+	Sensor supply +24V
I-	Sensor supply 0V
E+	external voltage supply for sensors + 24 V (AUX)
E-	external voltage supply for sensors 0 V (AUX)
I1...I4	switching input sensor 1...4