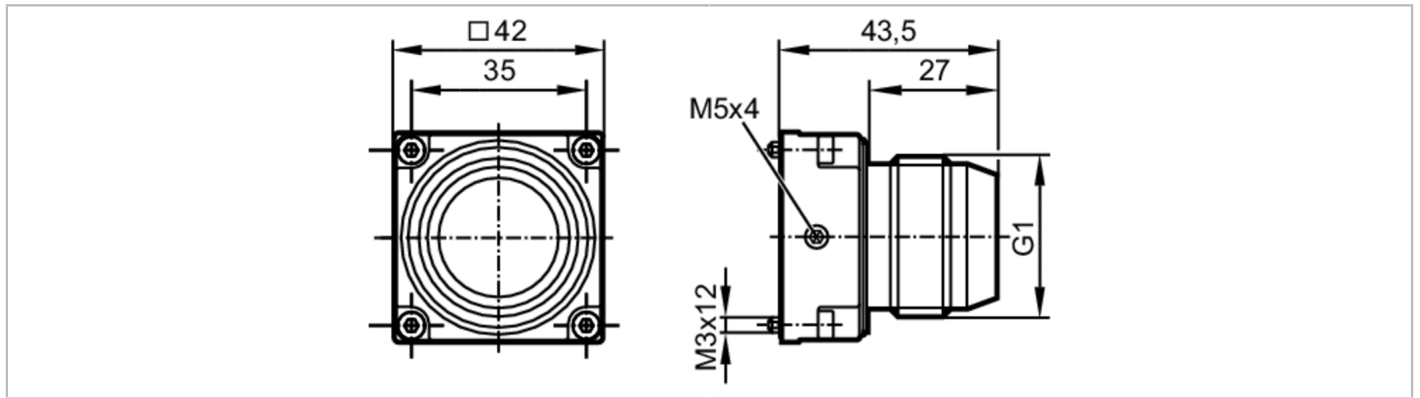


E21224



Mounting adapter for photoelectric level sensors

FLANGE ADAPTER G1 FOR O1D



Application	
Design	for optical distance sensors
Mechanical data	
Weight [g]	231
Dimensions [mm]	42 x 43.5 x 42
Materials	flange: stainless steel (1.4404 / 316L); Sealing: FKM; Protective cover: PMMA transparent; screws: stainless steel; washers: stainless steel
Tightening torque [Nm]	0.6; (screws)
Accessories	
Accessories (supplied)	cylinder screws: 4 washers: 4
Remarks	
Pack quantity	1 pcs.