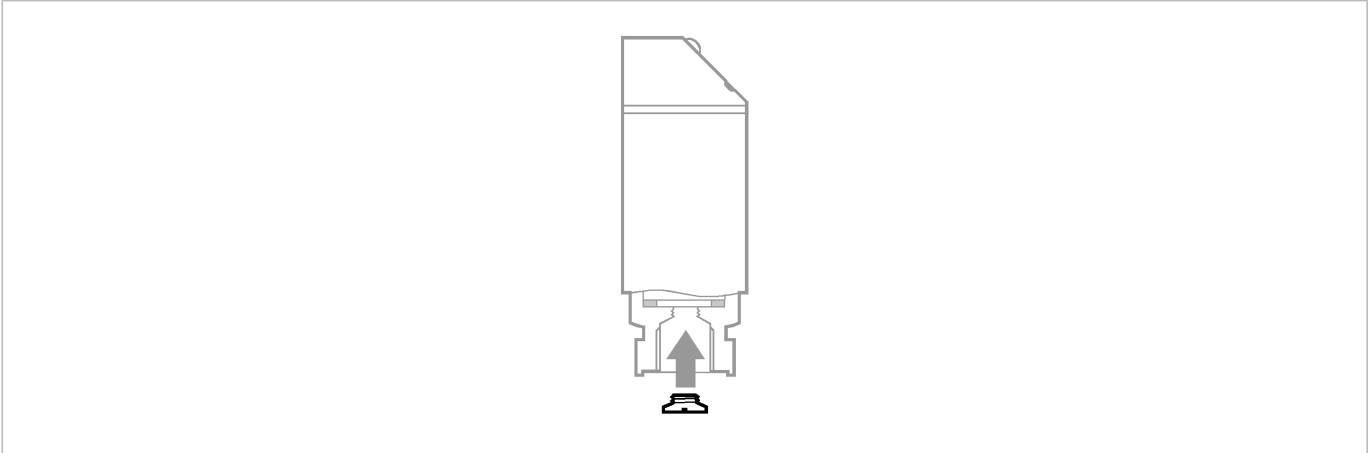




DAMPING SCREW

Accessories



Product characteristics

Damping screw

Mechanical data

Design	for pressure sensors type Typ PA, PB, PN, PY, PZ	
Weight	[kg]	0.005
Accessories	gasket	
Remarks		
Pack quantity	[piece]	1