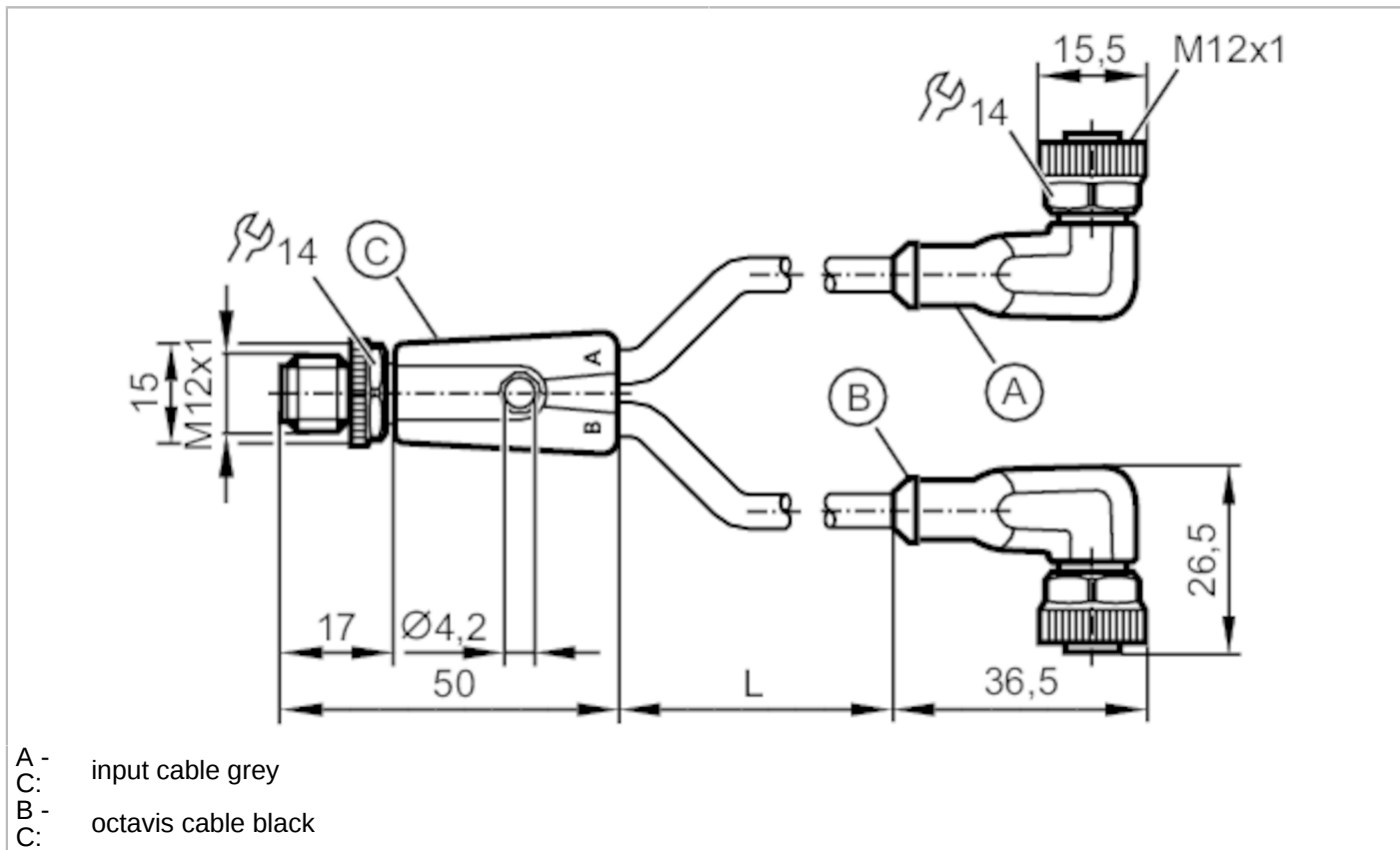


# EVC618



## Y connection cable

YDOAH040MSS0002H04STGH040MSS



| Application                          |  |
|--------------------------------------|--|
| Special feature                      | Free from silicone; Halogen-free; Gold-plated contacts; Drag chain suitability |
| Free from silicone                   | yes  |
| Electrical data                      |  |
| Operating voltage [V]                | < 60 AC/DC   |
| Protection class                     | II   |
| Max. current load total [A]          | 4  |
| Operating conditions                 |  |
| Ambient temperature [°C]             | -25...90   |
| Note on ambient temperature          | cULus: ...75   |
| Ambient temperature (moving) [°C]    | -25...90   |
| Note on ambient temperature (moving) | cULus: ...75   |
| Protection                           | IP 65; IP 67; IP 68; IP 69K  |

# EVC618



## Y connection cable

YDOAH040MSS0002H04STGH040MSS

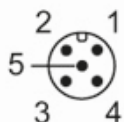
| Mechanical data              |  |  |
|------------------------------|--|--|
| Weight [g]                   | 161.8  |  |
| Materials                    | Connecting cable with plug: TPU orange; Connecting cable with socket: TPU orange; Sealing: FKM |  |
| Material nut                 | brass, nickel-plated / brass, nickel-plated  |  |
| Number of ports splitter box | 2  |  |
| Drag chain suitability       | yes  |  |
| Drag chain suitability       | bending radius for flexible use  | min. 10 x cable diameter   |
|                              | travel speed   | max. 3.3 m/s for a horizontal travel length of 5 m and max. acceleration of 5 m/s <sup>2</sup> |
|                              | bending cycles   | > 5 Mio.   |
|                              | torsional strain   | ± 180 °/m  |

| Remarks       |   |
|---------------|---|
| Notes         | Please see the technical note under "Downloads" |
| Pack quantity | 1 pcs.  |

| Electrical connection   |  |
|---|--|
| Cable: 2 m, PUR, Halogen-free, black, Ø 4.3 mm; 4 x 0.34 mm <sup>2</sup> (42 x Ø 0.1 mm ) |  |

| Electrical connection - plug |  |
|------------------------------|--|
|------------------------------|--|

Connector: 2 x M12; Locking: brass, nickel-plated; Contacts: gold-plated; Tightening torque: 0.6...1.5 Nm



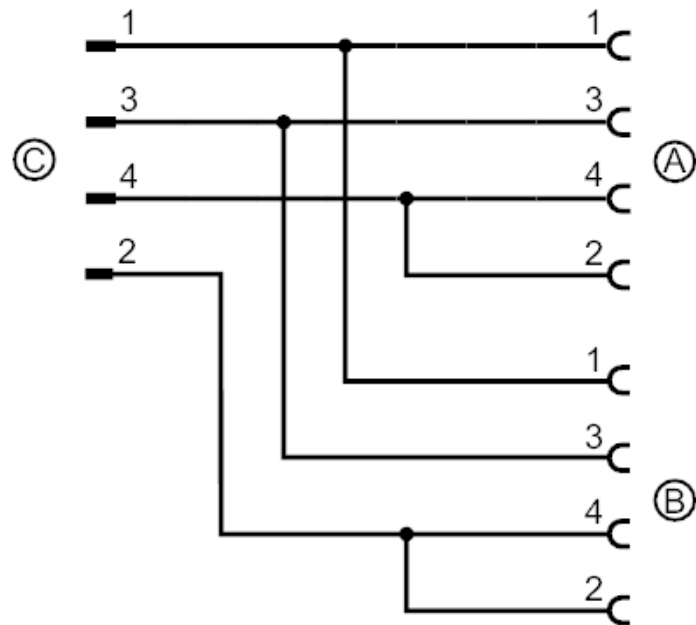
# EVC618



## Y connection cable

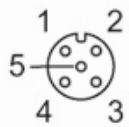
YDOAH040MSS0002H04STGH040MSS

### Connection



### Electrical connection - socket

Connector: 2 x M12; Locking: brass, nickel-plated; Contacts: gold-plated; Tightening torque: 0.6...1.5 Nm

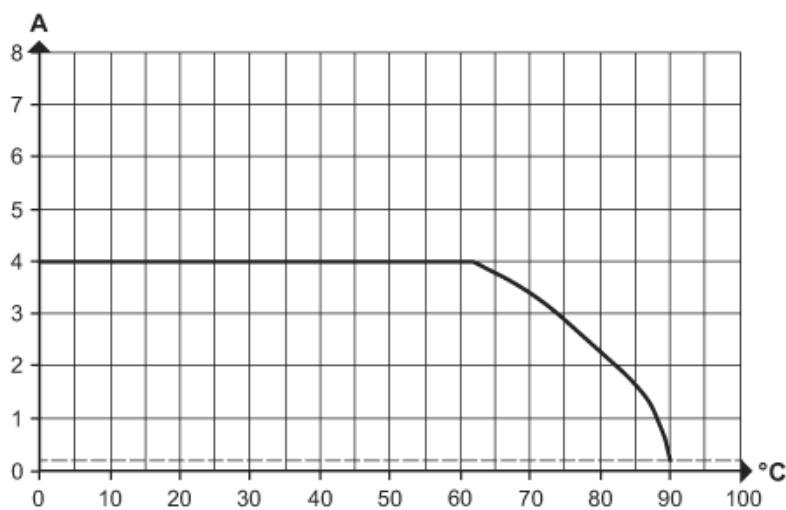




## Y connection cable

YDOAH040MSS0002H04STGH040MSS

### Diagrams and graphs



Derating  $I_{max} * 0.8$  DIN EN 60512-5-2

X Ambient temperature [°C]

Y Current [A]