

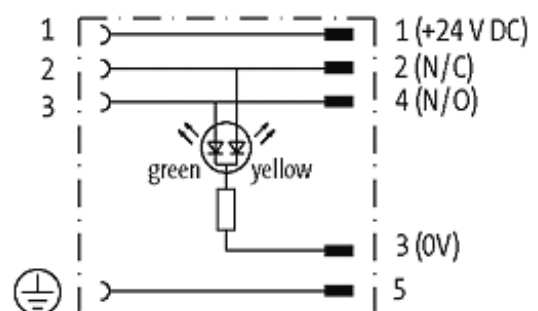
M12 ADAPTOR ON TOP OF MSUD VALVE PLUG FORM A 18MM

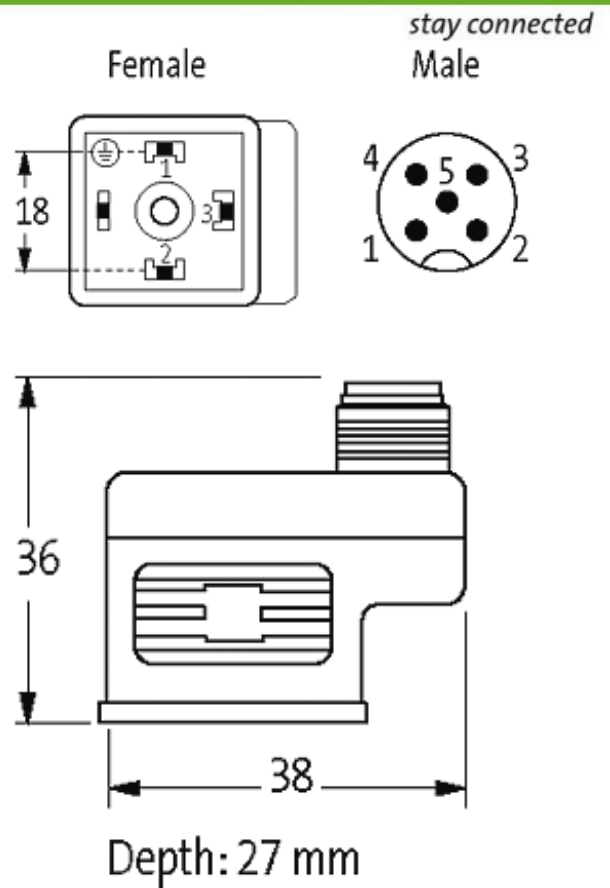
Form A (18 mm) – M12, connector top entry
for pressure switches
LED (yellow/green)
5-pole

Plastic housings with good resistance against chemicals and oils. The resistance to aggressive media should be individually tested for your application. Further details on request.

[Link to Product](#)

Illustration





Product may differ from Image

Approvals



Form

41321

Technical Data

| | |
|-------------------------------|--|
| Operating voltage | 24 V AC/DC $\pm 25\%$ |
| Operating current per contact | max. 4 A |
| Switch off peak | max. 55 V |
| Locking of ports | M3 (recommended torque 0.4 Nm) |
| Protection | IP67 inserted and tightened (EN 60529) |

General data

| | |
|-------------------|--------------|
| Temperature range | -25...+85 °C |
|-------------------|--------------|

Commercial data

| | |
|------------------------|----------|
| country of origin | CZ |
| customs tariff number | 85369010 |
| minimum order quantity | 1 |