



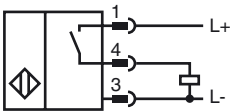
Model Number

NCB1,5-12GM40-E2-D-V1

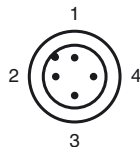
Features

- 1.5 mm flush
- Operating pressure 500 bar, peak pressure 800 bar
- For applications in hydraulic cylinder

Connection



Pinout



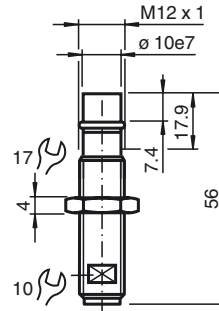
Wire colors in accordance with EN 60947-5-2

1	BN	(brown)
2	WH	(white)
3	BU	(blue)
4	BK	(black)

Accessories

- V1-G**
4-pin, M12 female field-attachable connector
- V1-W**
4-pin, M12 female field-attachable connector
- V1-G-2M-PUR**
Cable socket, M12, 4-pin, PUR cable
- V1-W-2M-PUR**
Cable socket, M12, 4-pin, PUR cable

Dimensions



Technical Data

General specifications

Switching element function	PNP	NO
Rated operating distance	s_n	1.5 mm
Installation	flush	
Output polarity	DC	

Nominal ratings

Operating voltage	U_B	10 ... 30 V DC
Switching frequency	f	0 ... 600 Hz
Hysteresis	H	typ. 10 %
Reverse polarity protected	reverse polarity protected	
Short-circuit protection	pulsing	
Voltage drop	U_d	≤ 2 V
Operating current	I_L	0 ... 200 mA
No-load supply current	I_0	≤ 10 mA

Limit data

Operating pressure	500 bar (7252 psi)
--------------------	--------------------

Functional safety related parameters

MTTF _d	728 a
Mission Time (T _M)	20 a
Diagnostic Coverage (DC)	0 %

Ambient conditions

Ambient temperature	-25 ... 80 °C (-13 ... 176 °F)
---------------------	--------------------------------

Mechanical specifications

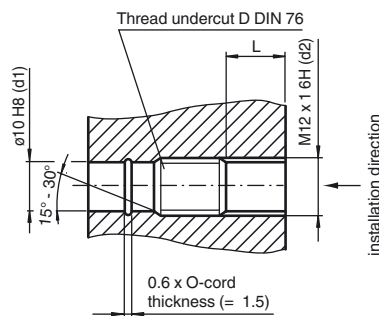
Connection type	Device connector M12 x 1 , 4-pin
Housing material	Stainless steel 1.4305 / AISI 303
Sensing face	Ceramic
Protection degree	IP68
Mass	27 g

Compliance with standards and directives

Standard conformity	
Standards	EN 60947-5-2:2007 IEC 60947-5-2:2007

Approvals and certificates

UL approval	cULus Listed, General Purpose
CSA approval	cCSAus Listed, General Purpose
CCC approval	Products with a maximum operating voltage of ≤ 36 V do not bear a CCC marking because they do not require approval.



L: recommended installation depth: $L \geq 0.8 \times d2$

Release date: 2012-06-01 09:37 Date of issue: 2012-06-01 214773_eng.xml