



SOFT STARTER WIDTH 22.5 MM 3A, 1.1KW/400 V, 40 DEGR.C 200-400V / UC 24-230V SPRING-LOADED

General technical data:

product brand name		SIRIUS
Product feature		
<ul style="list-style-type: none"> integrated bypass contact system 		Yes
<ul style="list-style-type: none"> Thyristors 		Yes
Product function		
<ul style="list-style-type: none"> Intrinsic device protection 		No
<ul style="list-style-type: none"> motor overload protection 		No
<ul style="list-style-type: none"> Evaluation of thermistor motor protection 		No
<ul style="list-style-type: none"> External reset 		No
<ul style="list-style-type: none"> Adjustable current limitation 		No
<ul style="list-style-type: none"> inside-delta circuit 		No
Product component Motor brake output		No
Equipment marking acc. to DIN EN 61346-2		Q
Equipment marking acc. to DIN 40719 extended according to IEC 204-2 acc. to IEC 750		G

Power Electronics:

Product designation		soft starters for standard applications
Operating current		
<ul style="list-style-type: none"> at 40 °C Rated value 	A	3
<ul style="list-style-type: none"> at 50 °C Rated value 	A	2.6
<ul style="list-style-type: none"> at 60 °C Rated value 	A	2.2
Mechanical power output for three-phase motors		
<ul style="list-style-type: none"> at 230 V 		

— at standard circuit at 40 °C Rated value	W	500
• at 400 V		
— at standard circuit at 40 °C Rated value	W	1 100
yielded mechanical performance [hp] for three-phase AC motor at 200/208 V at standard circuit at 50 °C Rated value	metric hp	0.5
Operating frequency Rated value	Hz	50 ... 60
Relative negative tolerance of the operating frequency	%	-10
Relative positive tolerance of the operating frequency	%	10
Operating voltage at standard circuit Rated value	V	200 ... 400
Relative negative tolerance of the operating voltage at standard circuit	%	-10
Relative positive tolerance of the operating voltage at standard circuit	%	10
Minimum load in % of I _M	%	9
Continuous operating current in % of I _e at 40 °C	%	100
Active power loss at operating current at 40 °C during operation typical	W	6.5

Control electronics:

Type of voltage of the control supply voltage		AC/DC
Control supply voltage frequency 1 Rated value	Hz	50
Control supply voltage frequency 2 Rated value	Hz	60
Control supply voltage 1 with AC at 50 Hz	V	24 ... 230
Control supply voltage 1 with AC at 60 Hz	V	24 ... 230
Relative negative tolerance of the control supply voltage with AC at 60 Hz	%	-10
Relative positive tolerance of the control supply voltage with AC at 60 Hz	%	10
Control supply voltage 1 for DC	V	24 ... 230
Relative negative tolerance of the control supply voltage for DC	%	-10
Relative positive tolerance of the control supply voltage for DC	%	10

Mechanical data:

Width	mm	22.5
Height	mm	102
Depth	mm	123
Mounting type		screw and snap-on mounting
mounting position		With vertical mounting surface +/-10° rotatable, with vertical mounting surface +/- 10° tiltable to the front and back
Installation altitude at height above sea level	m	5 000
Cable length maximum	m	100

Number of poles for main current circuit	3
--	---





Connections/ Terminals:

Type of electrical connection		
<ul style="list-style-type: none"> • for main current circuit • for auxiliary and control current circuit 		spring-loaded terminals spring-loaded terminals
Number of NC contacts for auxiliary contacts		0
Number of NO contacts for auxiliary contacts		0
Number of CO contacts for auxiliary contacts		0
Type of connectable conductor cross-section for main contacts		
<ul style="list-style-type: none"> • solid • finely stranded with core end processing 		2x (0.25 ... 1.5 mm ²) 2x (0.25 ... 1 mm ²)
Type of connectable conductor cross-section for auxiliary contacts		
<ul style="list-style-type: none"> • solid • finely stranded with core end processing 		2x (0.25 ... 1.5 mm ²) 2x (0.25 ... 1.0 mm ²)
Type of connectable conductor cross-section for AWG conductors		
<ul style="list-style-type: none"> • for main contacts • for auxiliary contacts 		2x (24 ... 16) 2x (24 ... 16)

Ambient conditions:

Ambient temperature		
<ul style="list-style-type: none"> • during operation • during storage 	°C	-25 ... +60 -40 ... +80
Derating temperature	°C	40
Protection class IP		IP20

Certificates/ approvals:

General Product Approval		EMC	Test Certificates		
 CSA	 UL		 C-TICK	Type Test Certificates/Test Report	Special Test Certificate

other

[Environmental Confirmations](#)
[Declaration of Conformity](#)

UL/CSA ratings:

yielded mechanical performance [hp] for three-phase AC motor		
<ul style="list-style-type: none"> at 220/230 V — at standard circuit at 50 °C Rated value 	metric hp	0.5
Contact rating of the auxiliary contacts acc. to UL		B300 / R300

Further information

Information- and Downloadcenter (Catalogs, Brochures,...)

<http://www.siemens.com/industrial-controls/catalogs>

Industry Mall (Online ordering system)

<http://www.siemens.com/industrymall>

Cax online generator

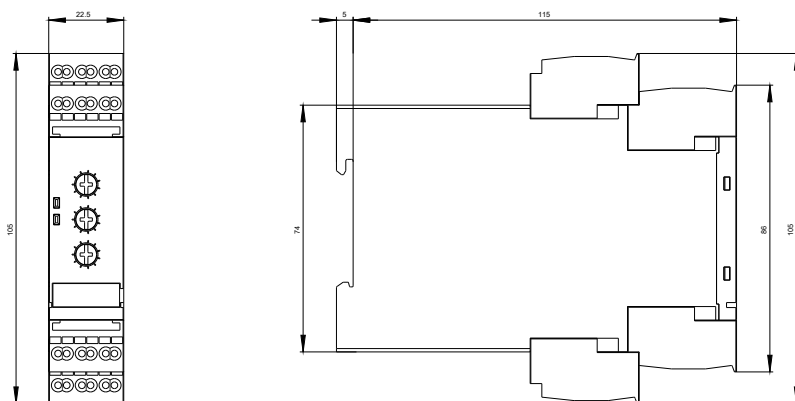
<http://support.automation.siemens.com/WW/CAXorder/default.aspx?lang=en&mfb=3RW30032CB54>

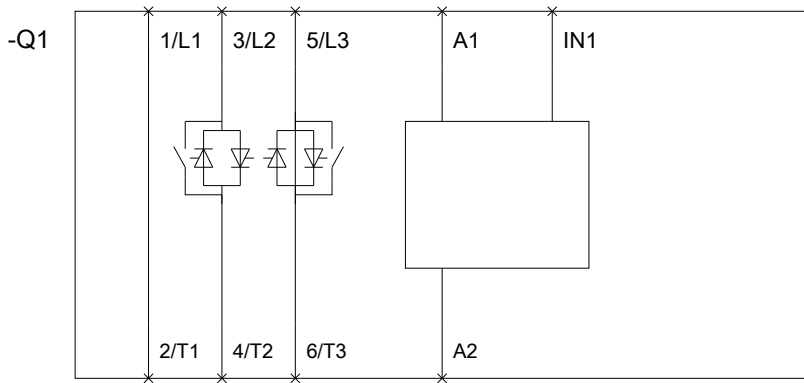
Service&Support (Manuals, Certificates, Characteristics, FAQs,...)

<http://support.automation.siemens.com/WW/view/en/3RW30032CB54/all>

Image database (product images, 2D dimension drawings, 3D models, device circuit diagrams, EPLAN macros, ...)

<http://www.automation.siemens.com/bilddb/index.aspx?attID9=3RW30032CB54&lang=en>





last modified:

15.01.2015