

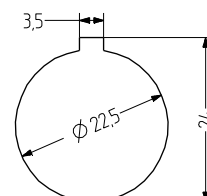
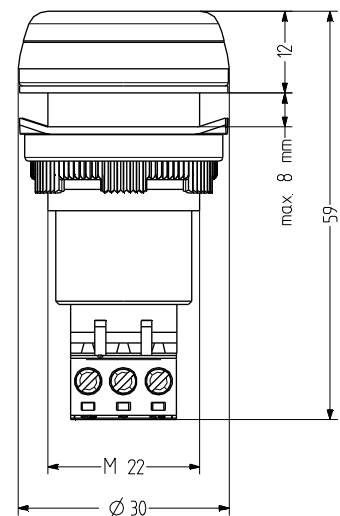
ESK Panel mount buzzer

- Ø 30 mm panel-mount buzzer
- Max. 65 dB (A) sound pressure
- High degree of protection IP 65
- Panel size Ø 22.5 mm/M22
- 2 easily distinguishable tones
- User-friendly connection technology
- For industrial and general applications
- Adapter available for M30.5 mm panel size



TECHNICAL DATA

Housing	Ø 30 mm Polycarbonate black (RAL 9005) or grey (RAL 7035)
Type of mounting	any
Panel size	22 mm (M22) and 30.5 mm (with adapter)
Connection technology	plug-in screw terminal bis 2,5 mm ²
Leakage current	0,003 A
Tone	2 Tones, 2 Tones can be switched externally, Steady tone or Pulsing tone
Volume	65 dB
Tone frequency	3.500 Hz
Duty cycle	100 %
Operating temperature	-25 °C / +60 °C
Degree of protection	IP65 & UL Type 4/4x/13
Weight	30 g



ESK

ORDER DATA

Nominal voltage	Voltage range (V)	Nominal current (A)	Mains frequency	Housing colour	
				black	grey
12-24 V AC/DC	10-24	0,040	50-60 Hz	812 500 405	812 100 405
110-120 V DC	+/- 10 %	0,011	50-60 Hz	812 500 010	812 100 010
110-120 V AC	75-140	0,035	50-60 Hz	812 500 310	812 100 310
230 V AC	150-260	0,035	50-60 Hz	812 500 313	812 100 313



ADM30



WZ30

ACCESSORIES

Type	Type of accessory	Weight	Order number
ADM30	Adapter for M30.5 for 30.5 mm holes	8 g	812 500 900
WZ30	Mounting tool for 30 mm models		812 400 900

tone TABLE

Tone on terminal			
La	N	Lb	
X	X		pulsing tone
X	X	X	continuous tone