

R2034

Brass two stage high pressure regulator,
suitable for laboratory use



FEATURES

High pressure regulator for cylinder or manifold; standard version inlet pressure up to 220 bar (3190 psi), higher pressure for special versions.

Inlet connections available for every type of gas. Outlet connection G 1/4 - F. External chrome-plated finish.

The regulator is composed of an high pressure stage followed by a lower pressure stage, providing an accurate outlet pressure control starting from 0,1÷0,5 bar range.

Outlet pressure is controlled by a diaphragm. Two-stage regulator provide constant outlet pressure regardless of inlet pressure variations.

Available the ATEX 2014/34/EU version
Brand $\text{CE} \text{ II2GclICTX}$
 $\text{CE} \text{ II2DclICTX}$.

For use in potentially explosive atmospheres zones:
1, 21, 2, 22 (not for mines and zone 0).

Available the EAC-EX TP TC 012/2011 versions for the Russian market.

The product complies with the directive 2014/68/EU (PED).

SPECIFICATIONS

Inlet and outlet pressure gauges: accuracy class 1.6, G 1/4 ports

Regulator weight: ~1.5 kg (~3.3 lb)

Standard version operating temperature -20 °C ÷ +60 °C (-4 °F ÷ 140 °F)

Main valve leakage classification: VI (bubble tight)

Flow coefficient: $K_v = 0.4 \text{ Nm}^3/\text{h}$ ($C_v = 0.47 \text{ US gal/min}$)

Degree of protection: IP25

MATERIALS

Body and bonnet: brass

Internal parts: brass

Main valve springs: AISI 302

Adjusting spring: C85 (not in contact with the fluid)

Diaphragm: EPDM or FPM according to the fluid

O-ring: EPDM or FPM according to the fluid (other compounds available on request)

Main valve gasket 1° stage: PA 6.6

 2° stage : EPDM or FPM according to the fluid

ACCESSORIES

Fixed outlet pressure (adjusting screw locked by a cap nut)

Pre-set version: factory set outlet pressure

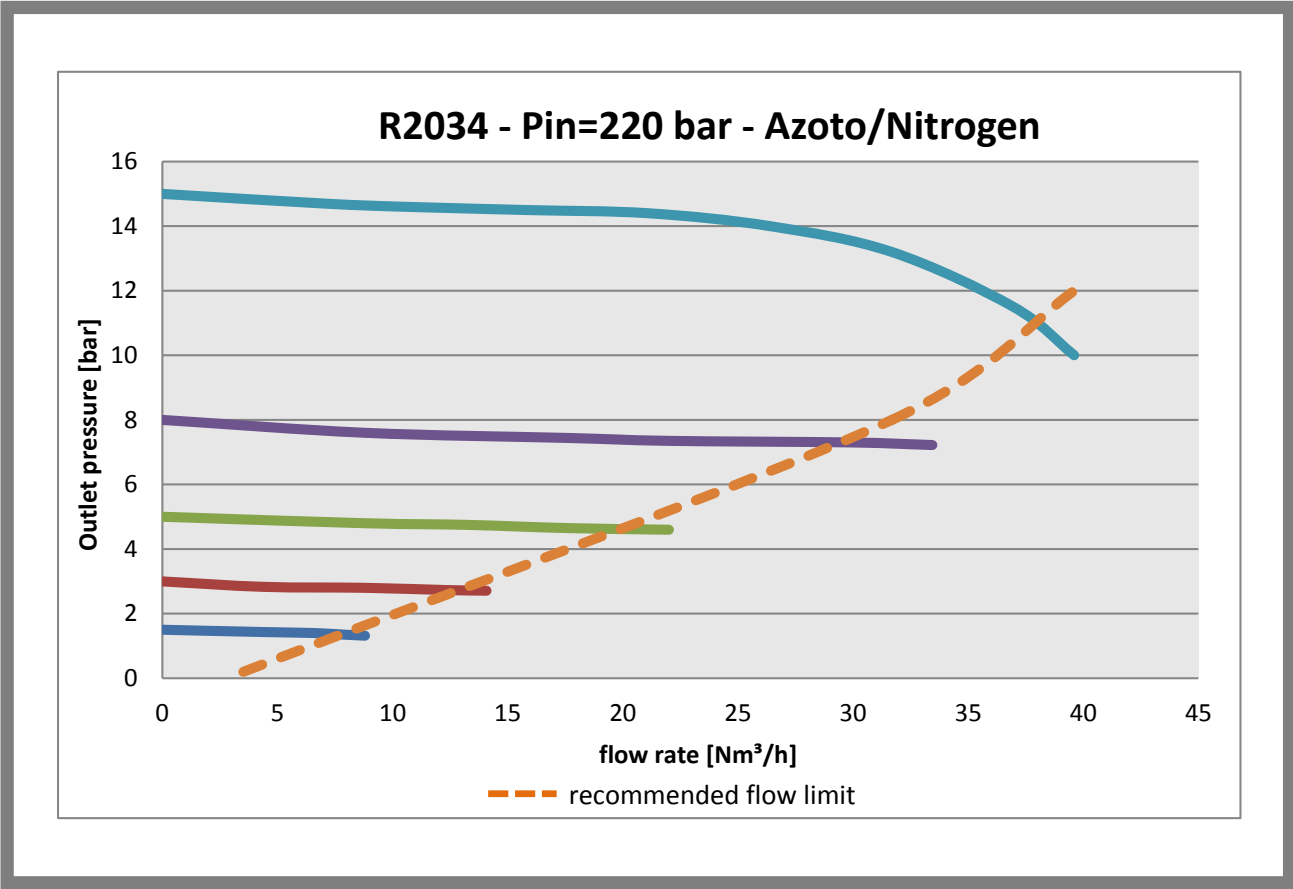
SPARE PARTS

Gauges

Overpressure valve

Complete kit: filter, complete main valve, o-rings, assembled diaphragm

flow charts



generating the product code

REGOLATORE R2034			
AA BB CC DD E FF			
AA	Attacchi / Connections	00	Vedi tipo di fluido, tabella DD
BB	Pressione d'ingresso / Inlet pressure	J0	PS 220 bar
CC	Intervallo d'uscita/ Outlet range	Y0	Pout 0,1 - 0,5 bar
		A0	Pout 0,2 - 1,5 bar
		B0	Pout 0,3 - 3 bar
		C0	Pout 0,8 - 8 bar
DD	Tipologia di fluido / Fluid type	15	O2 PED Classe III
		98	EPDM
		99	FPM
		U1	1H- UNI 11144 PED CLASSE III
		U2	2 - UNI 11144
		U5	5 - UNI 11144
		U6	6 - UNI 11144
		U8	8 - UNI 11144
E	Marchiato / Marked	I	ID
		Z	Dir ATEX 2014/34/UE
FF	Accessori/Accessories	00	Nessun accessorio

CODE COMPOSITION EXAMPLE

2034# 00 J0 C0 U1 I 00

2034#: Brass regulator R2034

00: Connection according to the fluid see table DD

J0: Inlet pressure 220 bar

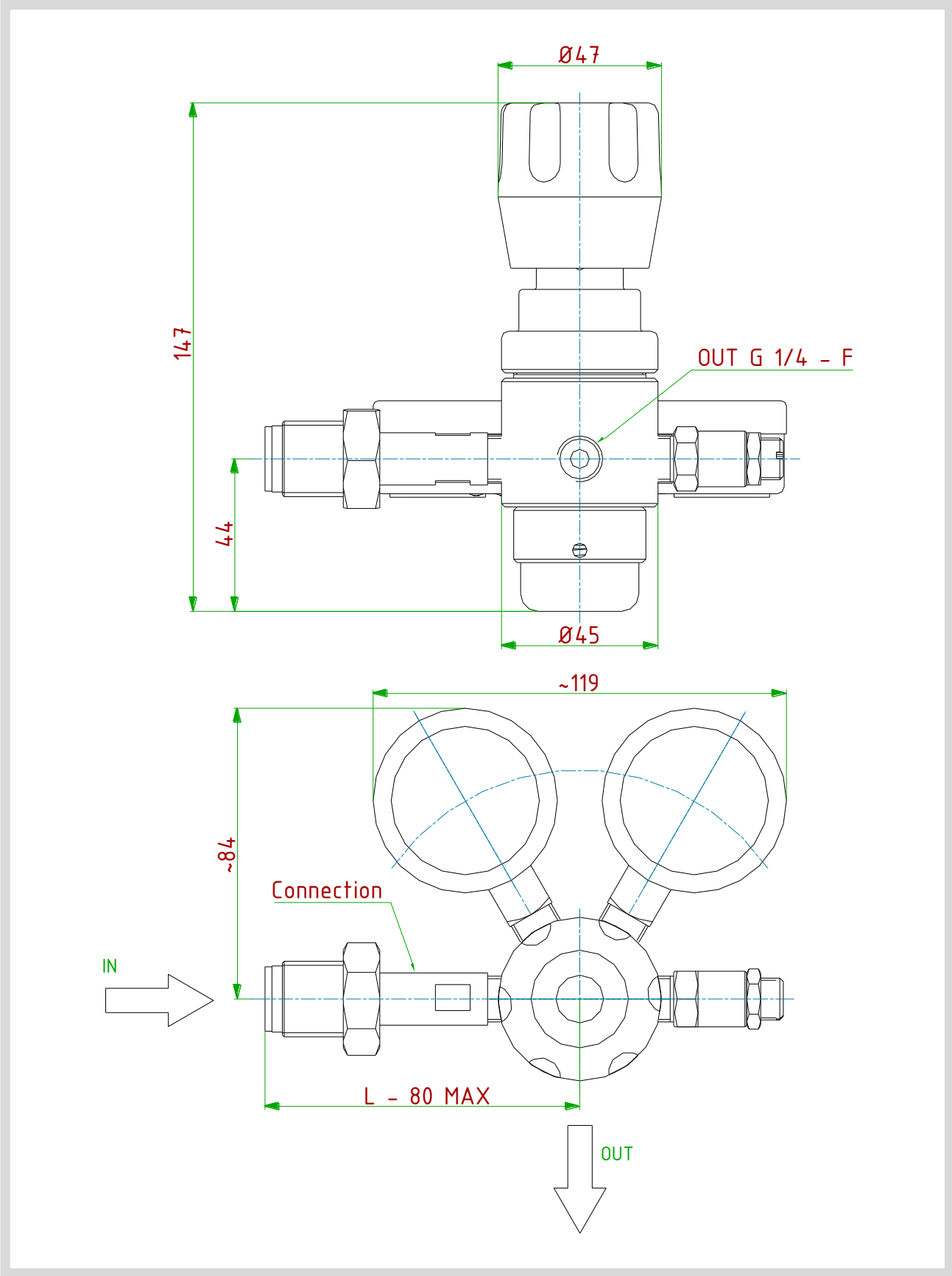
C0: Outlet pressure 0.8 ÷ 8 bar

U1: Inlet connection 1H-UNI 11144

I: Insert Deal

00: No accessories

technical drawings (all dimensions in mm)



ID Insert Deal Srl

Strada dei Boschi, 40
20852 Villasanta (MB) Italia
tel. +39 039 302035
info@idinsertdeal.com
www.idinsertdeal.com

ID Insert Deal si riserva il diritto di cambiare le specifiche del prodotto senza preavviso.
ID Insert Deal reserves the right to change and/or modify product specifications without prior notice.

Insert Deal non si assume alcuna responsabilità per la scelta, uso e manutenzione di qualsiasi prodotto. La responsabilità per l'ideale scelta, uso e manutenzione di qualsiasi prodotto ID rimane interamente a carico dell'acquirente.

Insert Deal does not assume responsibility for selection, use and maintenance of any products. Responsibility for proper selection, use and maintenance of any ID products remains entirely to the purchaser.

Riproduzione vietata. Tutti i diritti riservati; nessuna parte del presente documento può essere riprodotta senza autorizzazione di ID Insert Deal Srl.
Reproduction forbidden. All rights reserved; the hereby document can't be reproduced, also partially, without the authorization of ID Insert Deal Srl.

PRESSURE REGULATOR_R2034_EN_01



Azienda con sistema di gestione qualità certificato.
certificato N° 50 100 9191
Company with certificated quality management system.
certificate N° 50 100 9191