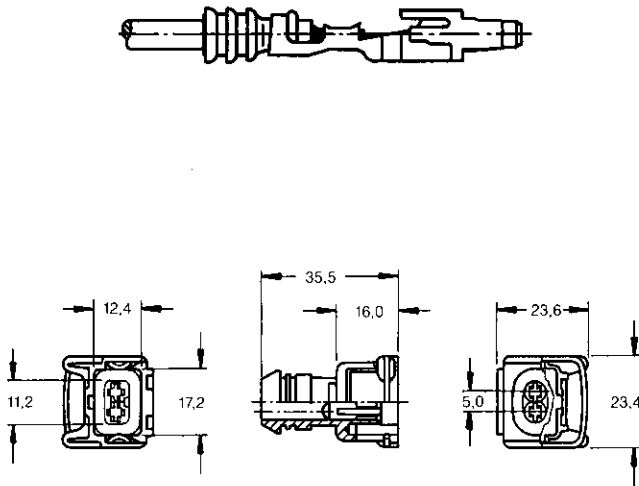


Gehäuse für Junior-Power-Timer Kontakte auf Basis Einzelleiter-Dichtungssystem

2polig

- Best.-Nr. **963040-1** (blau)
 Best.-Nr. **963040-2** (grau)
 Best.-Nr. **963040-3** (schwarz)
 Best.-Nr. **963040-4** (braun)
 Best.-Nr. **346305-1** (natur)
 Best.-Nr. **346305-2** (grau)
 Best.-Nr. **346305-3** (schwarz)
 Best.-Nr. **346305-4** (braun)
 Best.-Nr. **346305-5** (blau)
 Best.-Nr. **346305-6** (grün)
 Best.-Nr. **346305-7** (rot)
 Best.-Nr. **346305-8** (gelb)



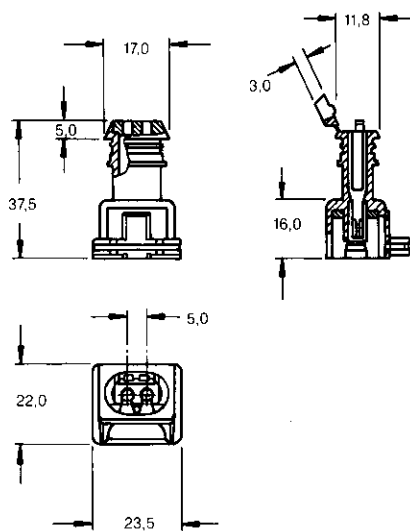
Housing for Junior-Power-Timer Contacts Based on Single Wire Sealing System

2 Positions

- Part No. **963040-1** (blue)
 Part No. **963040-2** (grey)
 Part No. **963040-3** (black)
 Part No. **963040-4** (brown)
 Part No. **346305-1** (natural)
 Part No. **346305-2** (grey)
 Part No. **346305-3** (black)
 Part No. **346305-4** (brown)
 Part No. **346305-5** (blue)
 Part No. **346305-6** (green)
 Part No. **346305-7** (red)
 Part No. **346305-8** (yellow)

2polig

- Best.-Nr. **282189-1** (schwarz)
 Best.-Nr. **282189-2** (grau)
 Best.-Nr. **282189-3** (natur)
 Best.-Nr. **282189-4** (grün)
 Best.-Nr. **282189-5** (blau)
 Best.-Nr. **282189-6** (braun)
 Best.-Nr. **282189-7** (gelb)
 Best.-Nr. **282189-8** (rot)

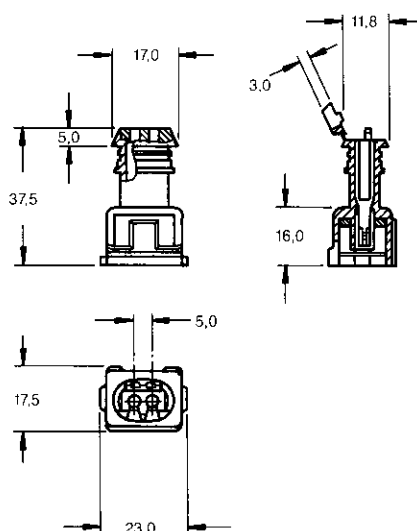


2 Positions

- Part No. **282189-1** (black)
 Part No. **282189-2** (grey)
 Part No. **282189-3** (natural)
 Part No. **282189-4** (green)
 Part No. **282189-5** (blue)
 Part No. **282189-6** (brown)
 Part No. **282189-7** (yellow)
 Part No. **282189-8** (red)

2polig

- Best.-Nr. **282190-1** (schwarz)
 Best.-Nr. **282190-2** (grau)
 Best.-Nr. **282190-3** (natur)
 Best.-Nr. **282190-4** (grün)
 Best.-Nr. **282190-5** (blau)
 Best.-Nr. **282190-6** (braun)
 Best.-Nr. **282190-7** (gelb)
 Best.-Nr. **282190-8** (rot)



2 Positions

- Part No. **282190-1** (black)
 Part No. **282190-2** (grey)
 Part No. **282190-3** (natural)
 Part No. **282190-4** (green)
 Part No. **282190-5** (blue)
 Part No. **282190-6** (brown)
 Part No. **282190-7** (yellow)
 Part No. **282190-8** (red)