

**DESIGN/PROCESS CHANGE NOTIFICATION**

This is to inform you that a change is being made to the following products.

This is a minor change that has no impact on product quality, reliability, electrical or mechanical performance. Affected products will remain fully compliant to all published specifications. Notification is being made for informational purposes only and there is no approval required. Products incorporating this change may be shipped interchangeably with existing unchanged products.

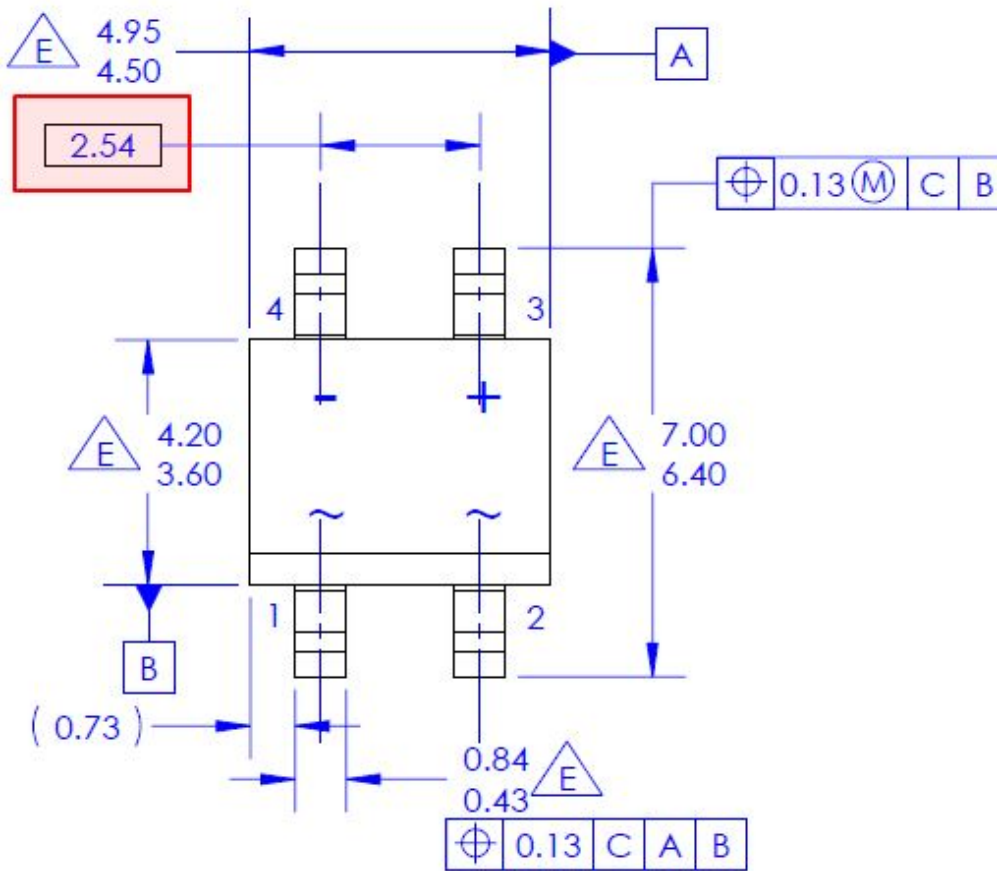
Please contact your local Customer Quality Engineer if you have any questions regarding this notification. Alternatively, you may send an email request for information to [PCNSupport@fairchildsemi.com](mailto:PCNSupport@fairchildsemi.com).

**Implementation of change:**

Expected First Shipment Date for Changed Product : N/A

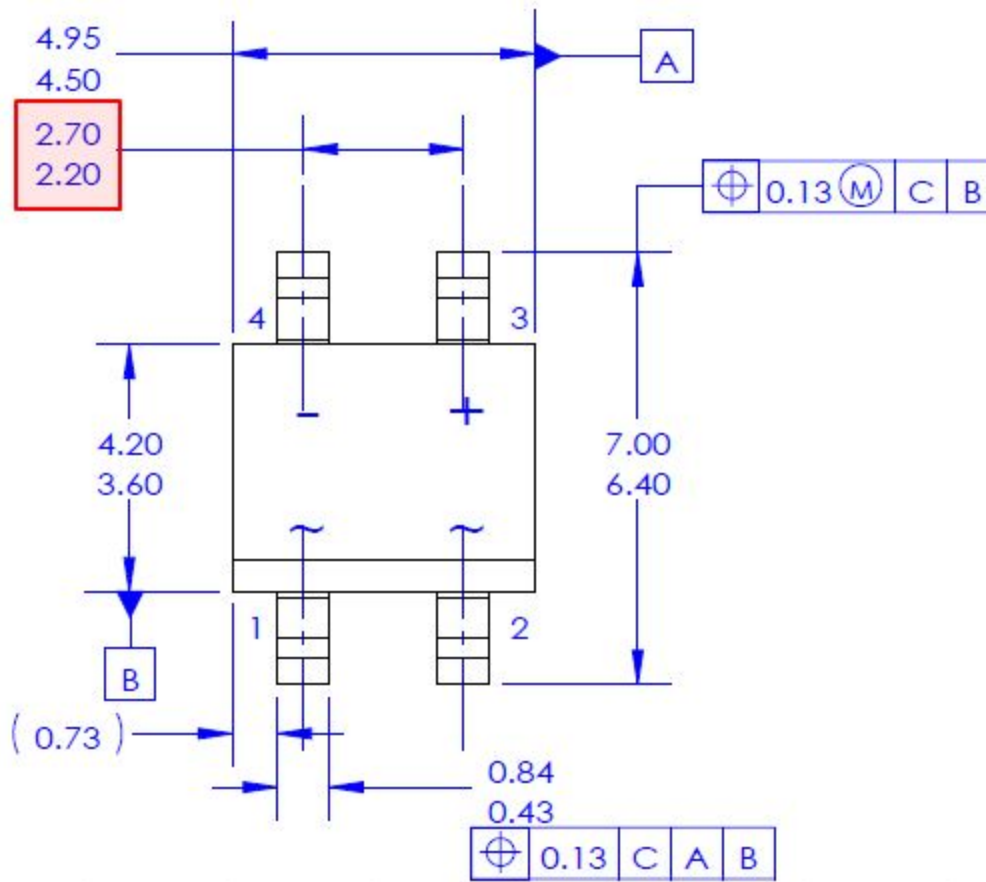
Expected First Date Code of Changed Product : N/A

Description of Change (From) :  
Package Lead pitch: 2.54mm typical  
(with an implied tolerance of +/-0.13 = 2.41mm min to 2.67 max)



Description of Change (To) :

Package Lead pitch: 2.2mm min to 2.7mm max



Reason for Change:  
In order to indicate the min & max tolerance for lead pitch.

**Affected Product(s):**

MB10S	MB1S	MB2S
MB4S	MB6S	MB8S